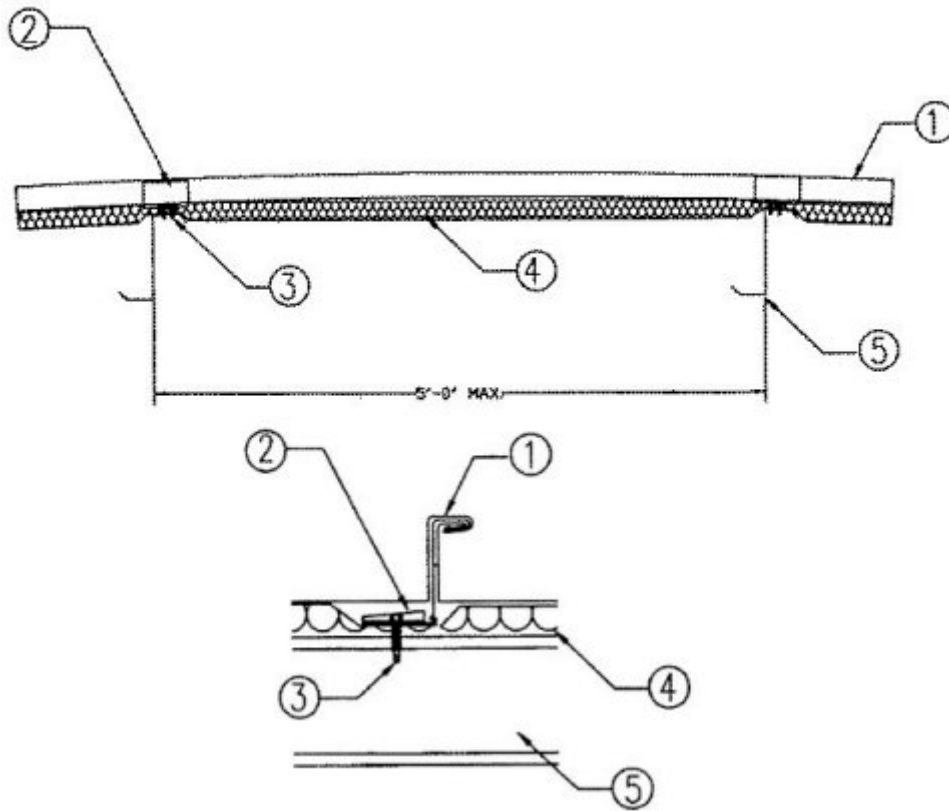


**Construction No. 583**

March 11, 2002  
 Uplift — Class 90  
 Fire Not Investigated



**1. Metal Roof Deck Panels\*** No. 24 MSG min thickness coated steel, 16 in. max width, rib height 2 in. Panels continuous over two or more spans. End lap to occur over purlins with panels overlapped 6 in. Panels may be mechanically curved at a radius between 20 ft and 109 ft, inclusive. A bead of sealant may be used at panel end and side laps. Side laps to be tightened and crimped with an electric crimping machine to a nominal 90 degree angle.

- NCI BUILDING SYSTEMS L.P. — "Curved BattenLok"

**2. Roof Deck Fasteners\*** (Panel Clip) - Either of the following; Fixed or Utility Clip - one piece assembly fabricated from 22 MSG min gauge steel, 3 in. wide. Floating Clip - two piece assembly with a base fabricated from 16 MSG min. gauge steel, 4-1/4 in. wide.

- NCI BUILDING SYSTEMS L.P. — "SuperLok" High or Low, Fixed or Floating; "SuperLok" Utility Clip

**3. Fasteners (Screws)** - Screws used to attach panel clips (Item 2) to purlins (Item 5) to be 1/4 in. - 14 by 1-1/4 in. long, hex washer head, self drilling fasteners. Two fasteners per clip.

**4. Insulation** (Optional) - Any compressible blanket insulation, 6 in. max thickness before compression.

**5. Purlins** No. 16 MSG min. 0.056 thickness coated steel (min yield strength 40 ksi). Max spacing 60 in. O.C.

**6. Lateral Bracing** (Not Shown) - As required.

Refer to general information, Roof Deck Constructions (Roofing Materials and Systems Directory), for Items not evaluated.

\*Bearing the UL Classification Mark