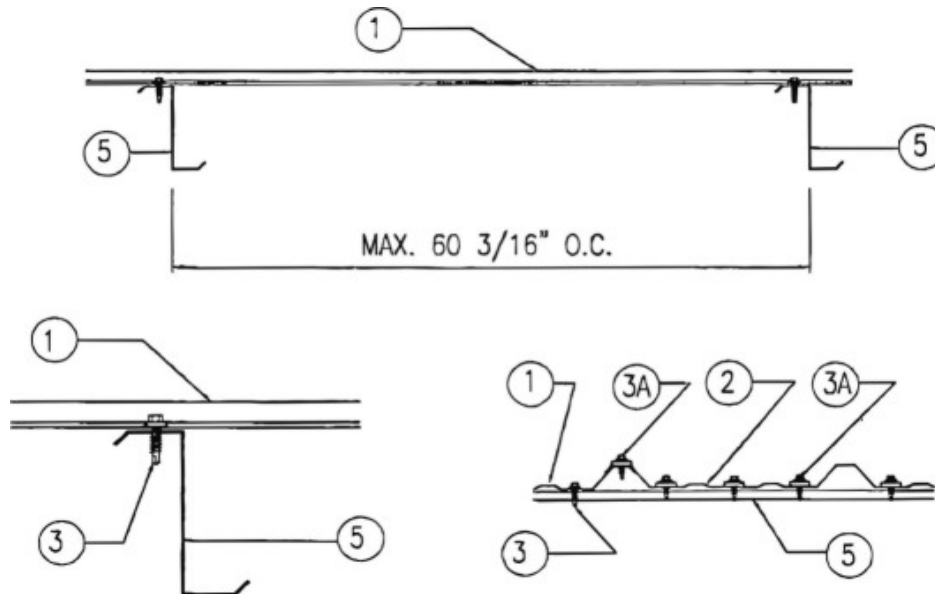


Construction No. 542

Uplift - Class 90

Fire Not Investigated



1. Metal Roof Deck Panels* - No. 26 MSG min. coated steel. Panels continuous over two or more spans. End laps to occur over purlins with panels overlapped 6 in. with lap beginning 2 in. from purlin and extending across purlin flange. A bead of sealant may be used at panel sidelaps.

- A&S BUILDING SYSTEMS, INC.-"R or PBR Panel"
- MBCI-"R or PBR Panel"
- MESCO METAL BUILDINGS-"R or PBR Panel"
- NCI BUILDING SYSTEMS LP-"R or PBR Panel"
- MIDLAND METALS, INC. — "PBR"

2. Building Units* - Translucent, reinforced plastic panels. Thickness 1/16 in. formed to the same configuration as the metal roof deck panels. Panels continuous over two spans.

- NCI BUILDING SYSTEMS LP-"R Panel Light Transmitting Panel"

3. Fasteners - (Screws) For steel panel to purlin, connections to be No. 12-14 by 1 in. self-drilling, self-tapping, hex head, plated steel screws with a separate 5/8 in. O.D. steel washer and a neoprene sealing washer. Spacing at intermediate purlins to be 12 in. on center beginning 2-1/2 in. from centerline on one side of each major rib. Spacing at panel end lap purlins to be in a 5-7-5-7 in. pattern beginning at centerline on both sides of each major rib.

For steel panel to panel, connections to be 1/4 in. -14 by 7/8 in. self-drilling, self-tapping, hex head, plated steel lap tak with 5/8 in. O.D. steel washer and a neoprene sealing washer. Spacing to be 20 in. on center.

3A. Fasteners - (Screws) - For Building Units (Item 2) to purlin, connections to be No. 12-14 by 1 in. self-drilling, self-tapping, hex head, plated steel screws with a separate 7/8 in. O.D. steel washer and a neoprene sealing washer. Spacing to be 3-1/2 in. on center beginning 2-1/2 in. from centerline on both sides of each major rib.

For Building Unit to steel panel, connections to be 1/4 in. -14 by 7/8 in self-drilling, self-tapping, hex head, plated steel lap tak with 7/8 in. O.D. steel washer and a neoprene sealing washer. Spacing to be 10 in. on center with a fastener located at the endlaps.

4. Insulation - (Optional) (Not Shown) - Any compressible blanket insulation, 6 in. max thickness before compression.

5. Purlin-No. 16 MSG minimum steel (50,000 psi min. yield strength).

6. Lateral Bracing - (Not Shown) - As Required.

Refer to General Information, Roof Deck Construction, (Roofing Materials and Systems Directory) for Items Not Evaluated.

*Bearing the UL Classification Marking