

**Construction No. 244
TGKX.244
Roof Deck Constructions**

Page Bottom

Design/System/Construction/Assembly Usage Disclaimer

- Authorities Having Jurisdiction should be consulted in all cases as to the particular requirements covering the installation and use of UL Certified products, equipment, system, devices, and materials.
- Authorities Having Jurisdiction should be consulted before construction.
- Fire resistance assemblies and products are developed by the design submitter and have been investigated by UL for compliance with applicable requirements. The published information cannot always address every construction nuance encountered in the field.
- When field issues arise, it is recommended the first contact for assistance be the technical service staff provided by the product manufacturer noted for the design. Users of fire resistance assemblies are advised to consult the general Guide Information for each product category and each group of assemblies. The Guide Information includes specifics concerning alternate materials and alternate methods of construction.
- Only products which bear UL's Mark are considered Certified.

Roof Deck Constructions

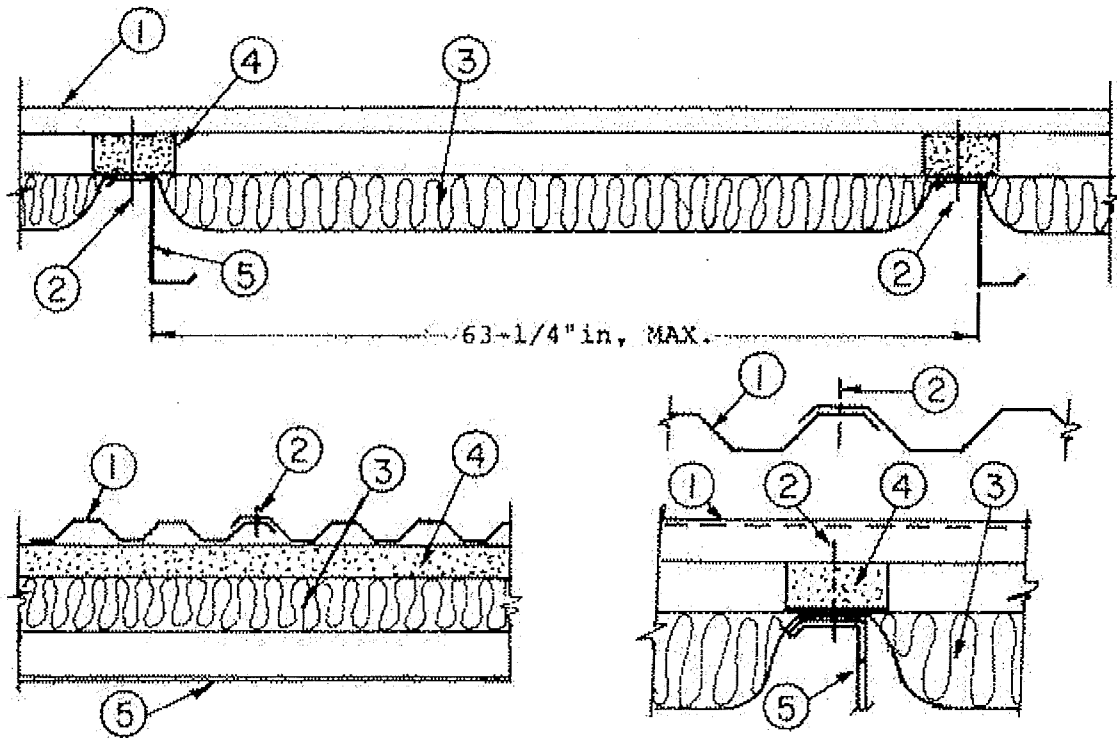
See General Information for Roof Deck Constructions

Construction No. 244

July 21, 2017

Wind-Uplift-Class 90 or 30 (See Item 2)

Fire not investigated



1. **Metal Roof Deck Panels*** — No. 26 MSG min gauge coated steel. Panel 36 in. wide and 1-1/2 in. high at the rib. Panels continuous over two or more spans. End laps to occur over purlins with panels overlapped a min of 4 in. with lap centered over purlin web. A bead of sealant may be used at panel end and side laps.

ALLIANCE STEEL INC ([View Classification](#)) — "LT3.3"

ALLSOUTH PRE-ENGINEERED COMPONENTS L L C ([View Classification](#)) — "7.2" Panel

BORGA STEEL INC ([View Classification](#)) — "HR345"

FABRAL INC ([View Classification](#)) — "Hefti-Rib"

MBCI ([View Classification](#)) — "7.2 Panel"

NCI BUILDING SYSTEMS L P ([View Classification](#)) — "7.2 Panel"

BERRIDGE MFG CO ([View Classification](#)) — "Deep-Deck Panel"

MCELROY METAL MILL INC ([View Classification](#)) — "Mega-Rib"

METAL SALES MANUFACTURING CORPORATION ([View Classification](#)) — "IC72-Panel"

THE BRYER CO ([View Classification](#)) — "7.2 Rib"

TREMCO INC — "TremLock 7.2"

WHIRLWIND STEEL BUILDINGS INC ([View Classification](#)) — "7.2 Rib"

2. **Panel Fasteners** — For panel to purlin attachment, to be No. 12-14 self-drilling, self-tapping, hex-head, plated steel, stand-off screws with a separate 5/8 in. OD formed steel washer and a neoprene sealing washer. Length to be 3-3/4 in. when 2 in. thick thermal spacers (Item 4) and compressible blanked insulation (Item 3) and used and 2-3/8 in. when 1 in. thick thermal spacers are compressible insulation are used. When no thermal spacers are used No. 14 by min 3/4 in. long self-drilling, self-tapping, hex-head, plated steel screws with 5/8 in. OD formed steel washer and a EPDM sealing washer to be used.

Spacing: For Class 90 to be approximately 7.2 in. OC in every valley. For Class 30 to be approximately 14 in. OC in every other valley. Spacing for Class 90 or 30 at end-laps to be 7.2 in. OC/coated in every valley. Fasteners for panel to panel connections to be No. 12-14 by 1 in. long self-drilling, self-tapping, hex-head plated steel screws with a separate 1/2 in. OD formed steel washer and a neoprene sealing washer. Spacing for Class 90 or 30 to be 20 in. OC with a fastener located at end lap location in line with purlin fasteners.

3. **Insulation — (Optional)** — Any compressible blanket insulation 4 in. max thickness before compression.

4. **Thermal Spacer Block — (Optional)** — Extruded polystyrene. Continuous max 2 in. thick by 4 in. in width. Installed along top flange of purlin between roof panels and blanket insulation.

5. **Purlin** — No. 16 MSG min gauge steel.

6. **Lateral Bracing — (Not Shown)** — As required.

Refer to General Information, Roof Deck Constructions (Roofing Materials and Systems Directory) for items not evaluated.

*** Indicates such products shall bear the UL or cUL Certification Mark for jurisdictions employing the UL or cUL Certification (such as Canada), respectively.**

Last Updated on 2017-07-21

[Questions?](#)

[Print this page](#)

[Terms of Use](#)

[Page Top](#)

© 2018 UL LLC

The appearance of a company's name or product in this database does not in itself assure that products so identified have been manufactured under UL's Follow-Up Service. Only those products bearing the UL Mark should be considered to be Certified and covered under UL's Follow-Up Service. Always look for the Mark on the product.

UL permits the reproduction of the material contained in the Online Certification Directory subject to the following conditions: 1. The Guide Information, Assemblies, Constructions, Designs, Systems, and/or Certifications (files) must be presented in their entirety and in a non-misleading manner, without any manipulation of the data (or drawings). 2. The statement "Reprinted from the Online Certifications Directory with

permission from UL" must appear adjacent to the extracted material. In addition, the reprinted material must include a copyright notice in the following format: "© 2018 UL LLC".