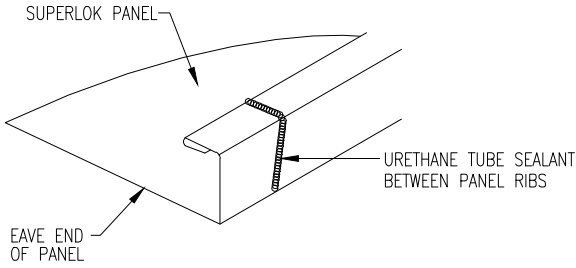


GUTTER STRAP ATTACHMENT



EAVE SEALANT DETAIL

URETHANE SEALANT MUST COME
IN CONTACT WITH TAPE SEALER
TO FORM A WEATHERTIGHT SEAL

1/4-14 x 7/8 LONG-LIFE LAPTEK
W/WASHER [FASTENER #4]
(2) PER STRAP

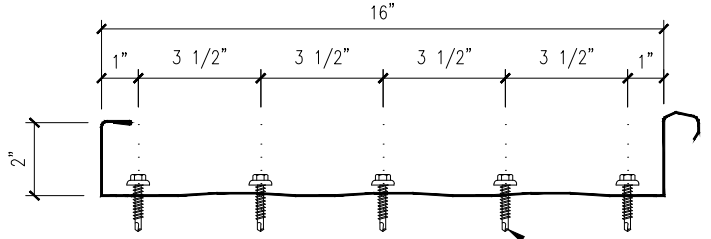
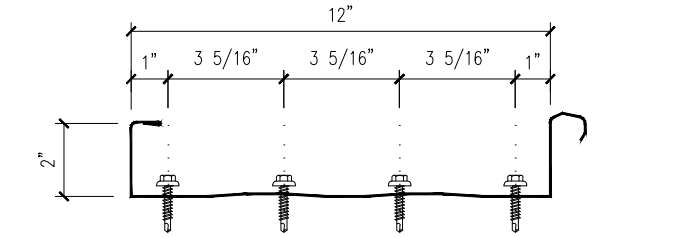
1/4-14 x 7/8 LONG-LIFE LAPTEK
W/WASHER [FASTENER #4] @ 12" O.C.

BOX PANEL CAP TRIM [FL-272]

12-14 x 1 1/4 LONG-LIFE SELF-
DRILLER W/WASHER [FASTENER #3]

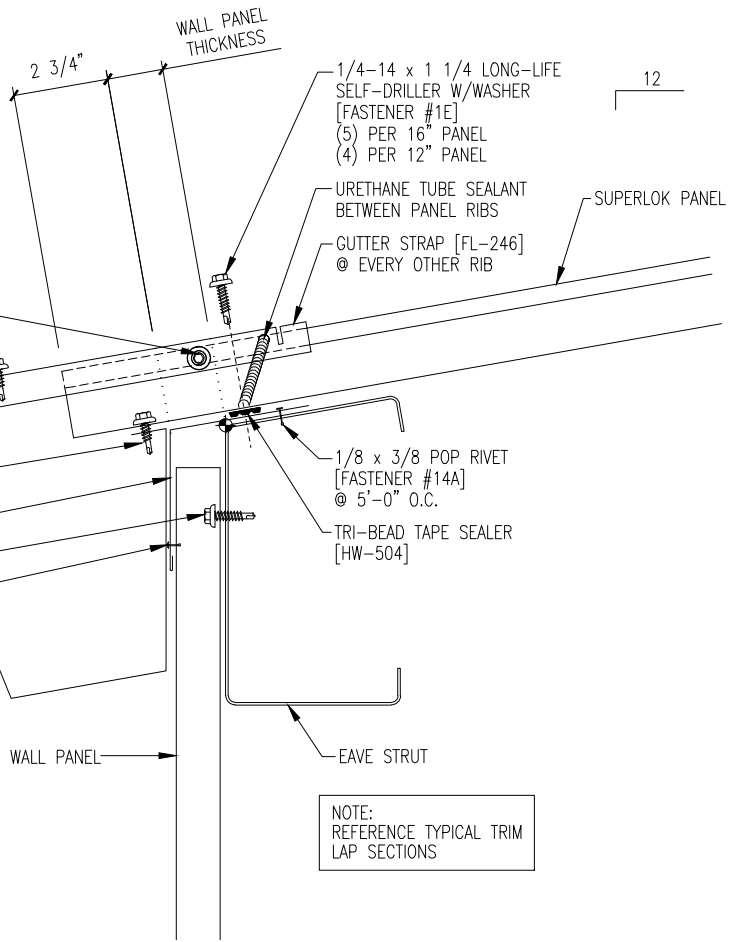
1/8 x 3/16 POP RIVET
[FASTENER #14]
@ 3'-0" O.C.

SCULPTURED GUTTER [FL-248A]



FASTENER SPACING @ EAVE

1/4-14 x 1 1/4 LONG-LIFE
SELF-DRILLER W/WASHER
[FASTENER #1E]



NOTE:
REFERENCE TYPICAL TRIM
LAP SECTIONS

O/O DIMENSION
(SEE PLAN)