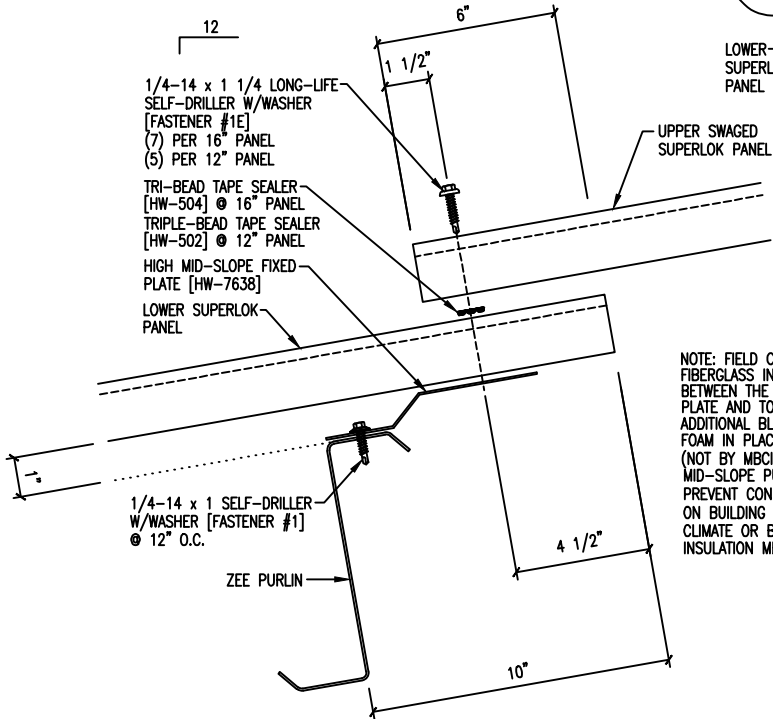
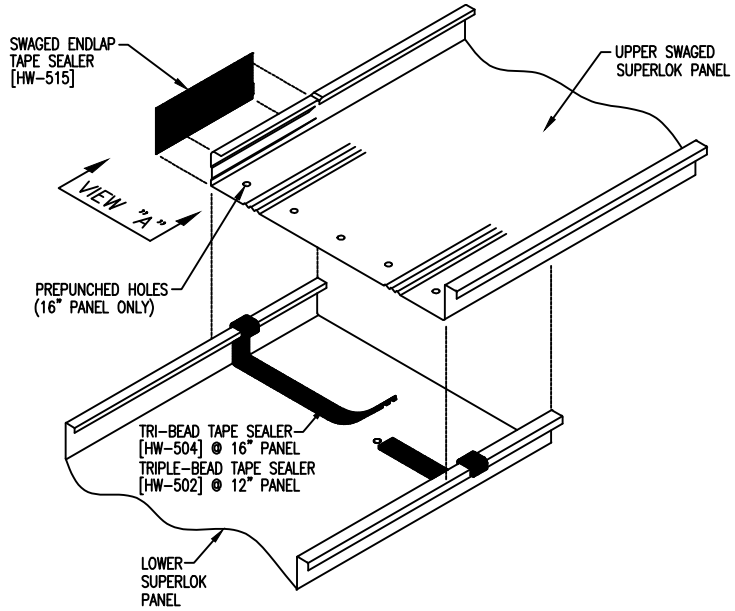
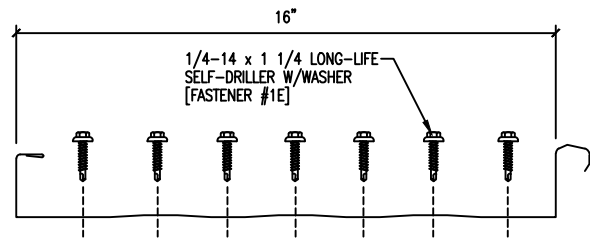
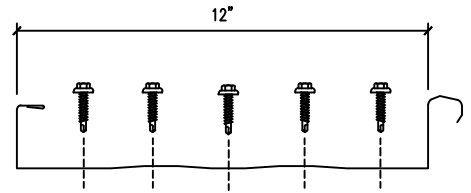


VIEW "A"



NOTE: FIELD CUT AND REMOVE FIBERGLASS INSULATION FROM VINYL BETWEEN THE MID-SLOPE FIXED PLATE AND TOP OF PURLIN. ADDITIONAL BLANKET INSULATION OR FOAM IN PLACE INSULATION (NOT BY MBCI) MAY BE REQUIRED AT MID-SLOPE PURLIN LOCATION TO PREVENT CONDENSATION DEPENDENT ON BUILDING EXTERIOR/INTERIOR CLIMATE OR BUILDING ENVELOPE INSULATION METHOD INSTALLED.



FASTENER LOCATIONS