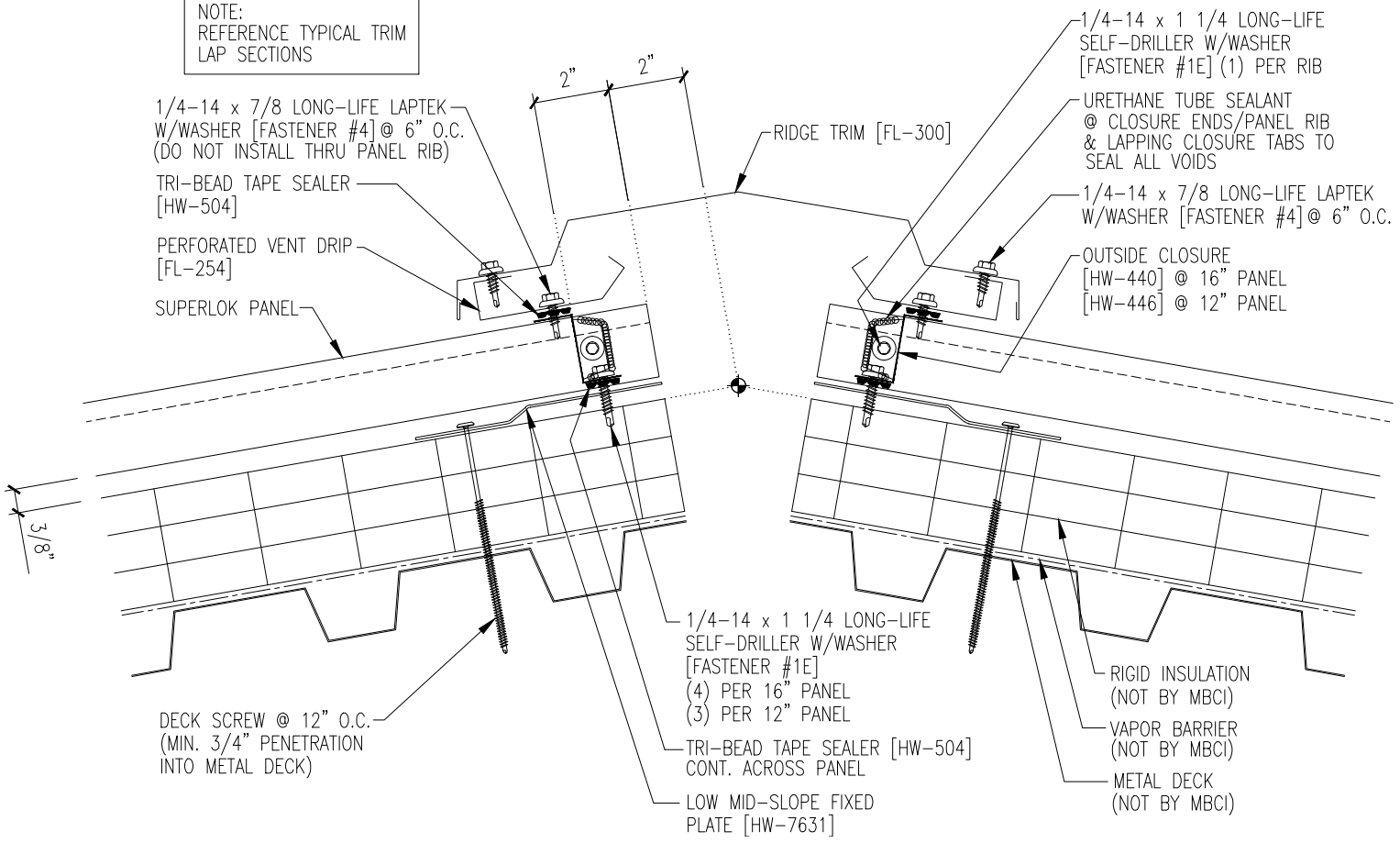


NOTE:
REFERENCE TYPICAL TRIM
LAP SECTIONS



1/4-14 x 7/8 LONG-LIFE LAPTEK
W/WASHER [FASTENER #4] @ 6" O.C.
(DO NOT INSTALL THRU PANEL RIB)

TRI-BEAD TAPE SEALER
[HW-504]

PERFORATED VENT DRIP
[FL-254]

SUPERLOK PANEL

RIDGE TRIM [FL-300]

1/4-14 x 1 1/4 LONG-LIFE
SELF-DRILLER W/WASHER
[FASTENER #1E] (1) PER RIB

URETHANE TUBE SEALANT
@ CLOSURE ENDS/PANEL RIB
& LAPPING CLOSURE TABS TO
SEAL ALL VOIDS

1/4-14 x 7/8 LONG-LIFE LAPTEK
W/WASHER [FASTENER #4] @ 6" O.C.

OUTSIDE CLOSURE
[HW-440] @ 16" PANEL
[HW-446] @ 12" PANEL

3/8"

DECK SCREW @ 12" O.C.
(MIN. 3/4" PENETRATION
INTO METAL DECK)

1/4-14 x 1 1/4 LONG-LIFE
SELF-DRILLER W/WASHER
[FASTENER #1E]
(4) PER 16" PANEL
(3) PER 12" PANEL

TRI-BEAD TAPE SEALER [HW-504]
CONT. ACROSS PANEL

LOW MID-SLOPE FIXED
PLATE [HW-7631]

RIGID INSULATION
(NOT BY MBCI)
VAPOR BARRIER
(NOT BY MBCI)
METAL DECK
(NOT BY MBCI)