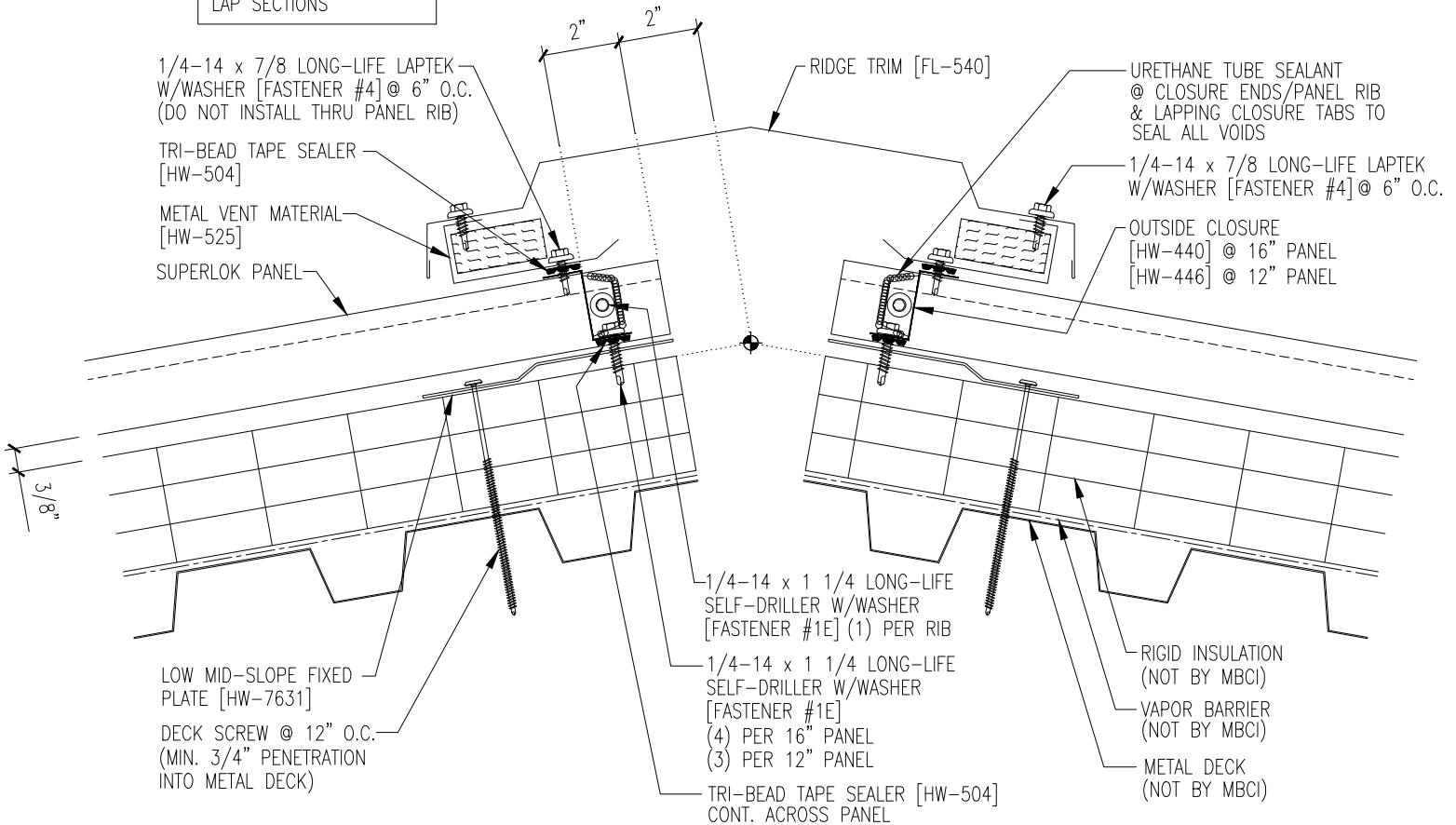


12

NOTE:
REFERENCE TYPICAL TRIM
LAP SECTIONS

12



1/4-14 x 7/8 LONG-LIFE LAPTEK
W/WASHER [FASTENER #4] @ 6" O.C.
(DO NOT INSTALL THRU PANEL RIB)

TRI-BEAD TAPE SEALER
[HW-504]

METAL VENT MATERIAL
[HW-525]

SUPERLOK PANEL

RIDGE TRIM [FL-540]

URETHANE TUBE SEALANT
@ CLOSURE ENDS/PANEL RIB
& LAPPING CLOSURE TABS TO
SEAL ALL VOIDS

1/4-14 x 7/8 LONG-LIFE LAPTEK
W/WASHER [FASTENER #4] @ 6" O.C.

OUTSIDE CLOSURE
[HW-440] @ 16" PANEL
[HW-446] @ 12" PANEL

1/4-14 x 1 1/4 LONG-LIFE
SELF-DRILLER W/WASHER
[FASTENER #1E] (1) PER RIB

1/4-14 x 1 1/4 LONG-LIFE
SELF-DRILLER W/WASHER
[FASTENER #1E]
(4) PER 16" PANEL
(3) PER 12" PANEL

TRI-BEAD TAPE SEALER [HW-504]
CONT. ACROSS PANEL

RIGID INSULATION
(NOT BY MBCI)

VAPOR BARRIER
(NOT BY MBCI)

METAL DECK
(NOT BY MBCI)

LOW MID-SLOPE FIXED
PLATE [HW-7631]

DECK SCREW @ 12" O.C.
(MIN. 3/4" PENETRATION
INTO METAL DECK)

3/8"

2" 2"