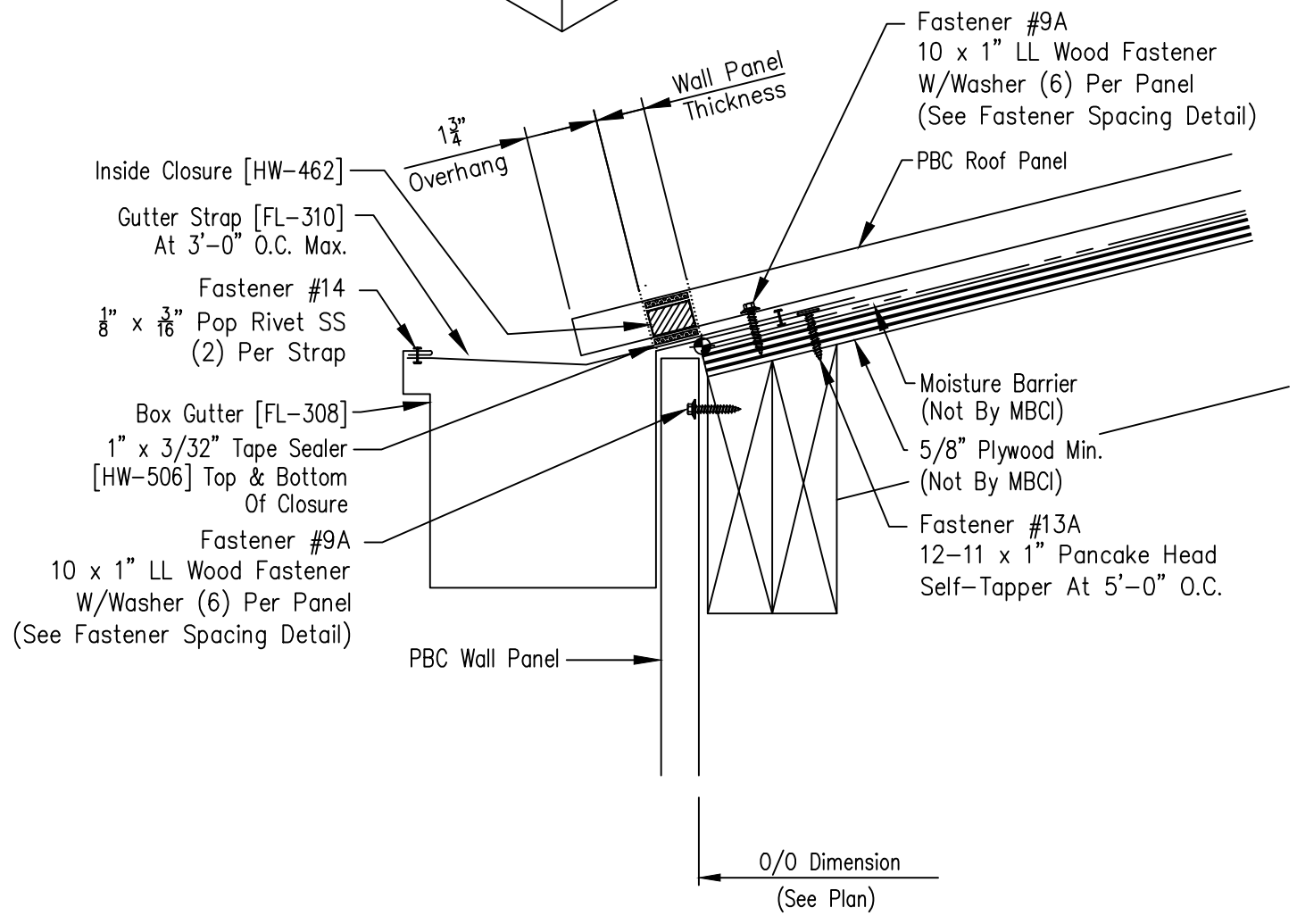


Eave Sealant Detail

(3:12 Min.) 12



Inside Closure [HW-462]

Gutter Strap [FL-310]
At 3'-0" O.C. Max.

Fastener #14
1" x 3/16" Pop Rivet SS
(2) Per Strap

Box Gutter [FL-308]
1" x 3/32" Tape Sealer
[HW-506] Top & Bottom
Of Closure

Fastener #9A
10 x 1" LL Wood Fastener
W/Washer (6) Per Panel
(See Fastener Spacing Detail)

PBC Wall Panel

1 3/4"
Overhang

Wall Panel
Thickness

Fastener #9A
10 x 1" LL Wood Fastener
W/Washer (6) Per Panel
(See Fastener Spacing Detail)

PBC Roof Panel

Moisture Barrier
(Not By MBCI)
5/8" Plywood Min.
(Not By MBCI)

Fastener #13A
12-11 x 1" Pancake Head
Self-Tapper At 5'-0" O.C.

O/O Dimension
(See Plan)