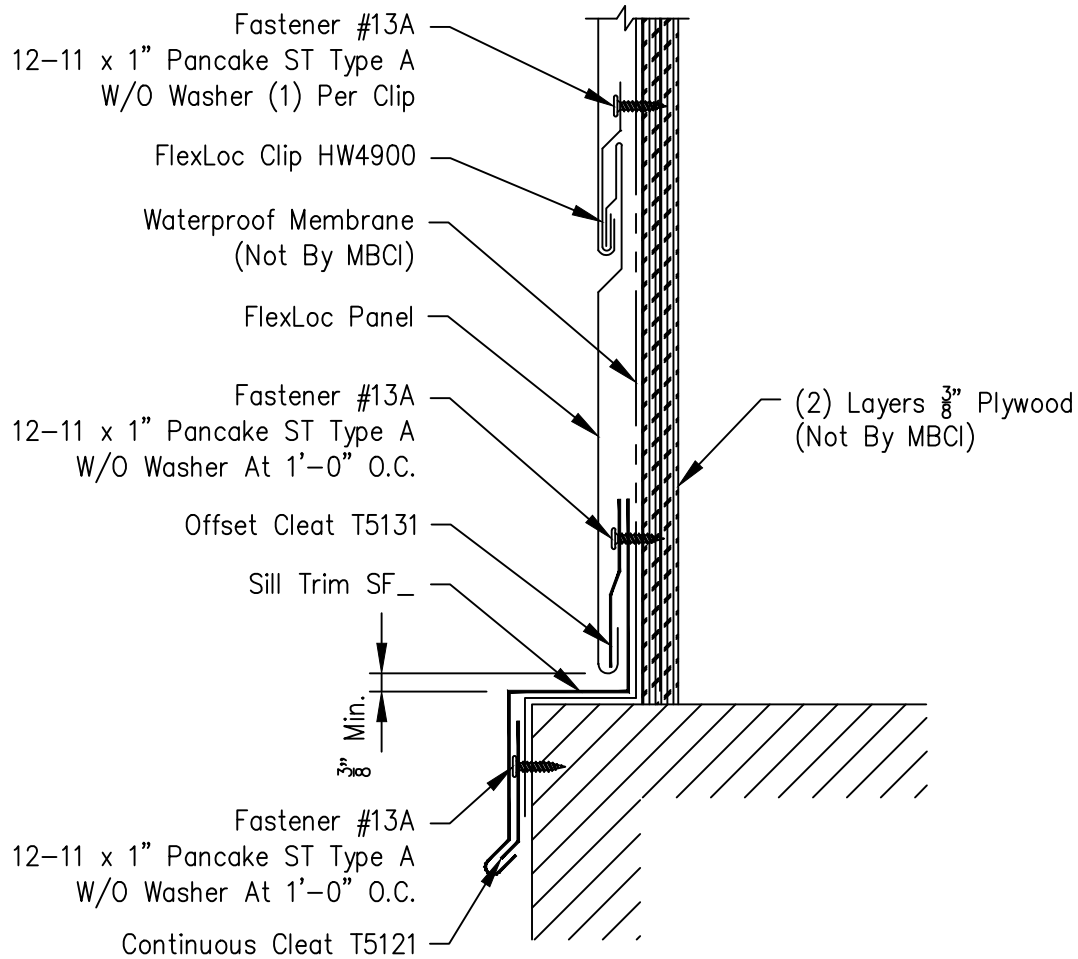


# FlexLoc Panel Barrel Roof - Starter / Sill Detail

Page  
FLX-BR-03

Date  
Feb '20

Rev  
00



**Notes:**

1. Install Sill Trim to substructure with Fastener #13A. Bottom of Sill Trim may be hooked onto a continuous cleat or fastened with an exposed fastener.
2. Install Offset Cleat to substructure with Fastener #13A at 1'-0" o.c. Offset Cleat must be  $\frac{3}{8}$ " above ledge of sill trim to allow panel to engage onto cleat.