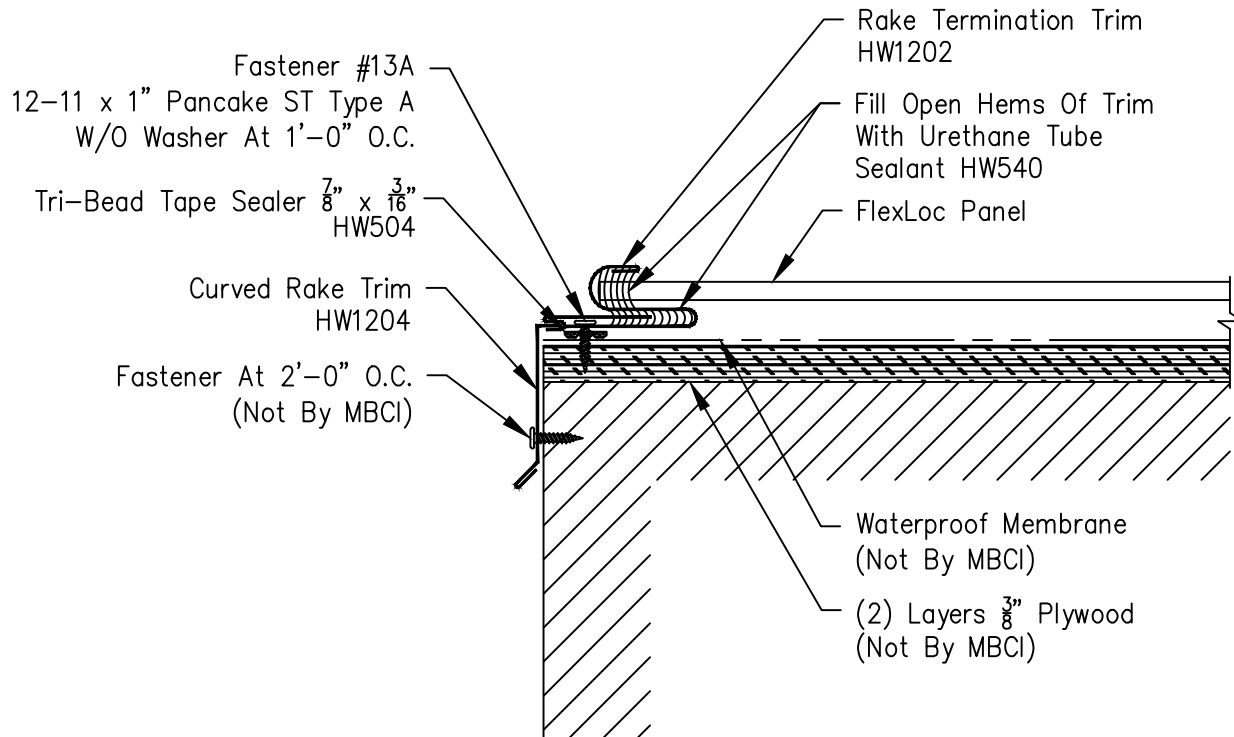


# FlexLoc Panel Barrel Roof - Rake Detail

Page  
FLX-BR-04

Date  
Feb '20

Rev  
00



## Notes:

1. Install panels before installing Rake Termination Trim. Do not install clips closer than 1'-0" from end of the panel.
2. Install Tri-Bead Tape Sealer HW504 to backside of Rake Termination Trim at the point of attachment to the plywood deck. Install Urethane Tube Sealant in open hem of trim.
3. Slide Rake Termination Trim under and onto panels working the trim to the radius of the roof as it is being installed. Attach to substructure with Fastener #13A at 1'-0" o.c. Fasteners must go through tape sealer.
4. Rake Trim is factory curved. Install Urethane Tube Sealant into open hem and slide top leg of rake trim into hem. Attach bottom of rake trim to wall with appropriate fastener at 2'-0" o.c.