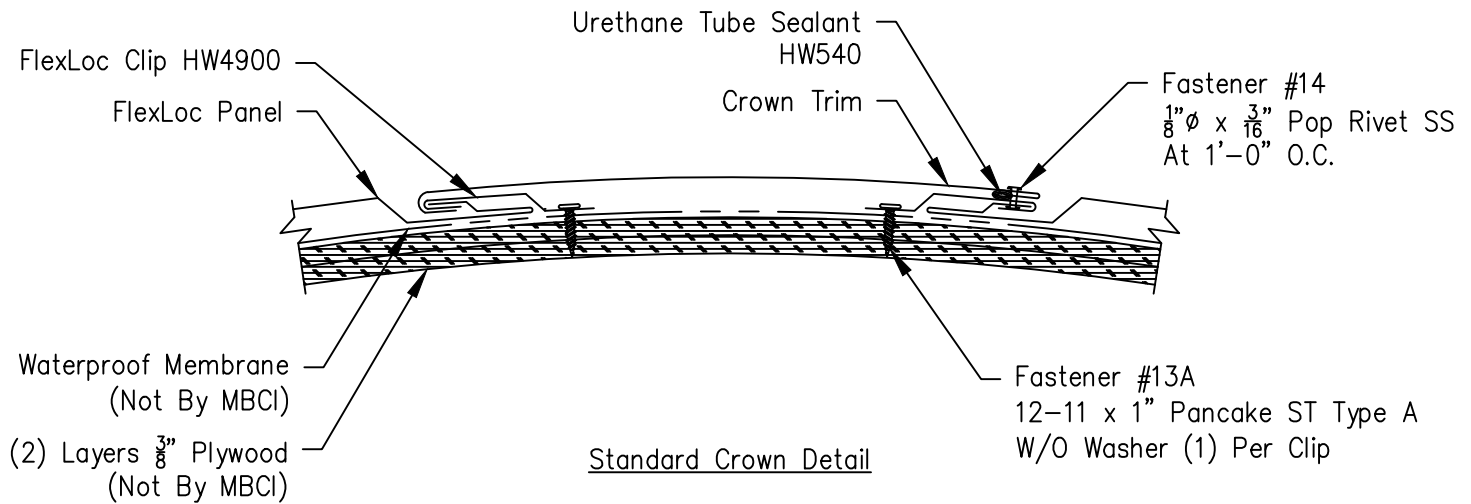


# FlexLoc Panel Barrel Roof - Crown Details

Page  
FLX-BR-01

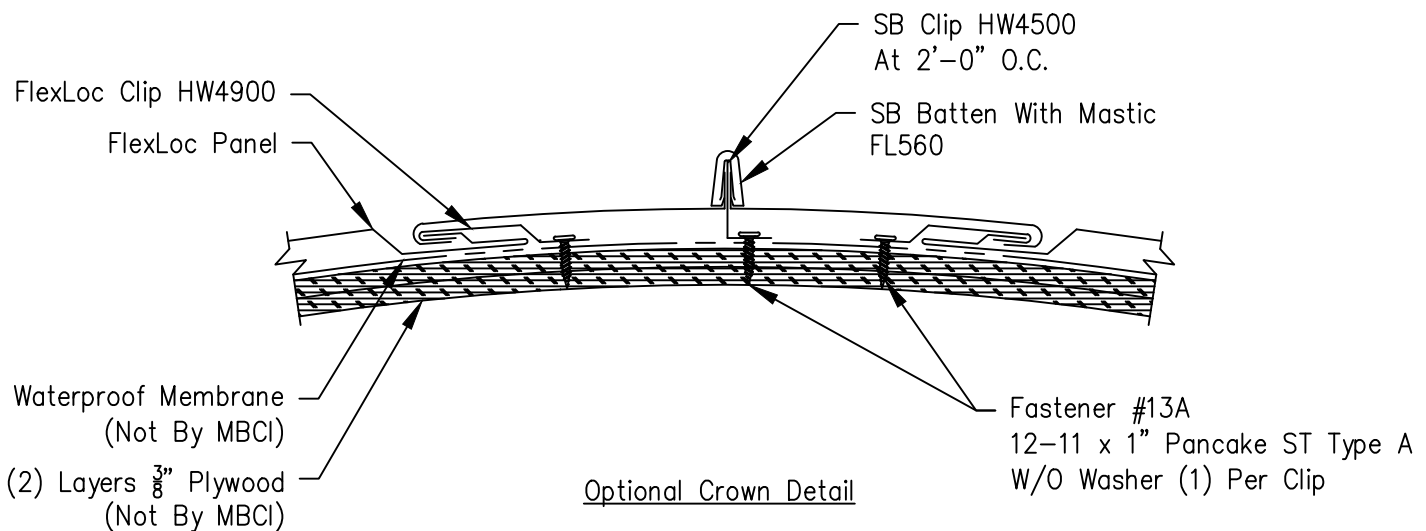
Date  
Feb '20

Rev  
00



**Standard Detail Notes:**

1. Install panels up to crown on both sides of barrel roof.
2. Install continuous Urethane Tube Sealant on the male leg of one top panel.
3. Hook open side of Crown Trim onto male leg of one panel and slide end of Crown Trim into the receiver. Pop rivet the opposite side of the crown trim (the side with the urethane sealant) to male leg of top panel at 1'-0" o.c.
4. Lap additional Crown Trim 3". Seal joint between trims with Urethane Tube Sealant and pop rivet lap at 2" o.c.



**Optional Detail Notes:**

1. Install panels up to crown on both sides of barrel roof.
2. Last panel on each side must be field bent to form an upturned 3/4" leg.
3. Install first panel at crown and clip to substructure with SB clips.
4. Install second panel at crown and bend clip tabs over both panels.
5. Install SB Batten over panel clips and seal ends with Urethane Tube Sealant.