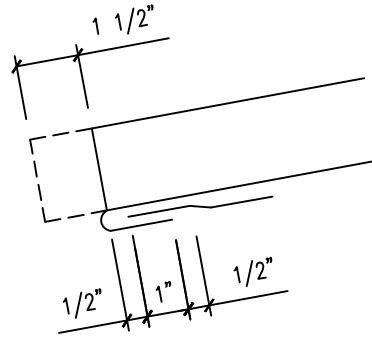
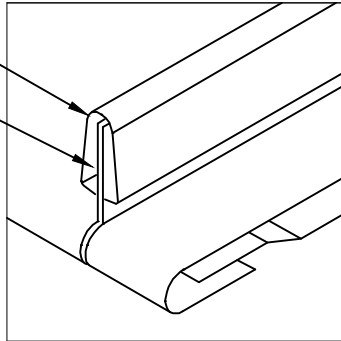


CRAFTSMAN SB BATTEN CAP [FL-566]  
 FILL END W/ URETHANE SEALANT



FIELD NOTCH PANEL  
 LEGS AND BEND PAN  
 TO FORM OPEN HEM

### PANEL ENGAGEMENT DETAIL

12

