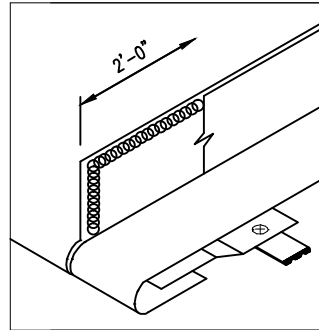


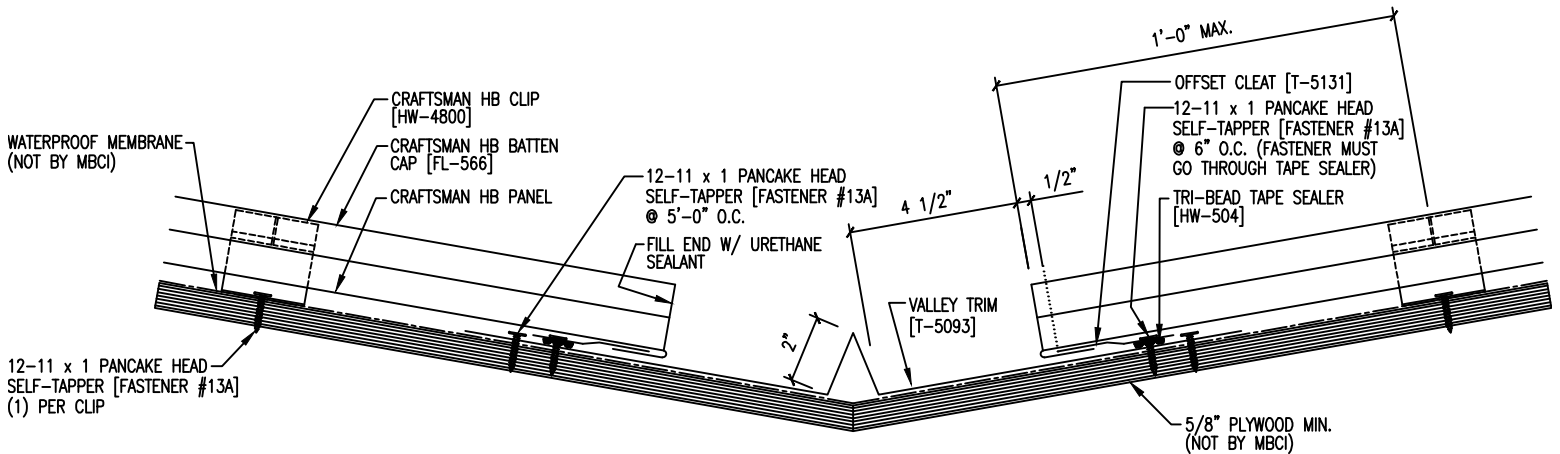
FIELD NOTCH PANEL LEGS AND BEND PAN TO FORM OPEN HEM

PANEL ENGAGEMENT DETAIL



FIELD APPLY BEAD OF URETHANE SEALANT TO VERTICAL LEG OF PANEL BEFORE INSTALLING ADJACENT PANEL

VALLEY SEALANT DETAIL



NOTE:
REFERENCE TYPICAL TRIM LAP SECTIONS