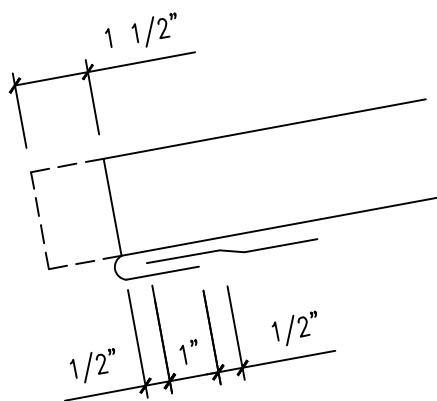
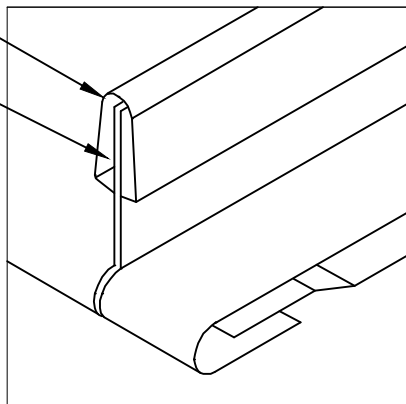


CRAFTSMAN HB BATTEN
CAP [FL-566]

FILL END W/
URETHANE
SEALANT



FIELD NOTCH PANEL
LEGS AND BEND PAN
TO FORM OPEN HEM

PANEL ENGAGEMENT DETAIL

12

