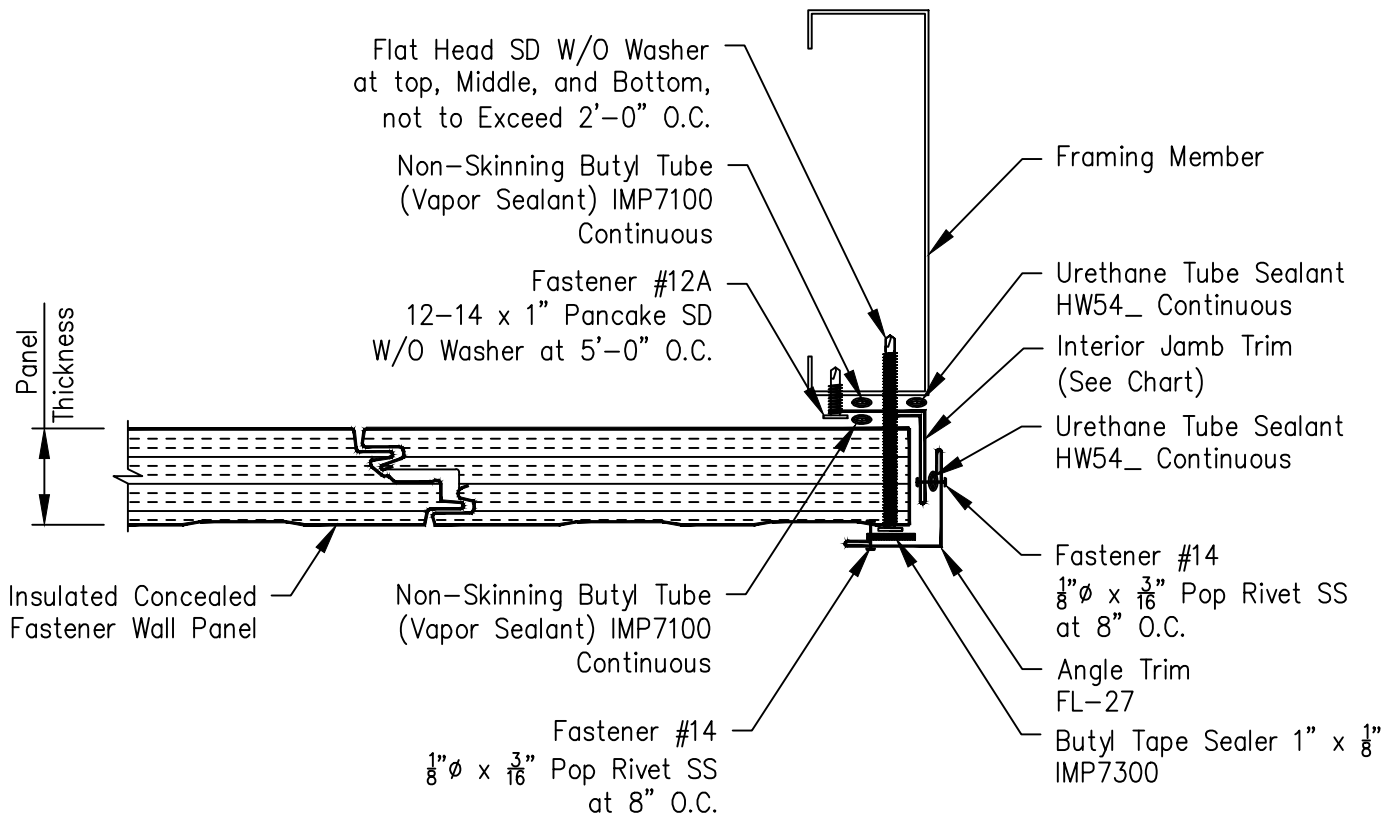


Insulated Concealed Fastener Wall Panel Section Through Jamb With Two Piece Trim



Interior Jamb Trim	
Wall Panel Thickness	Part Number
2"	F5442
2 $\frac{1}{2}"$	F5442
3"	F5443
4"	F5443
5"	F5444
6"	F5444