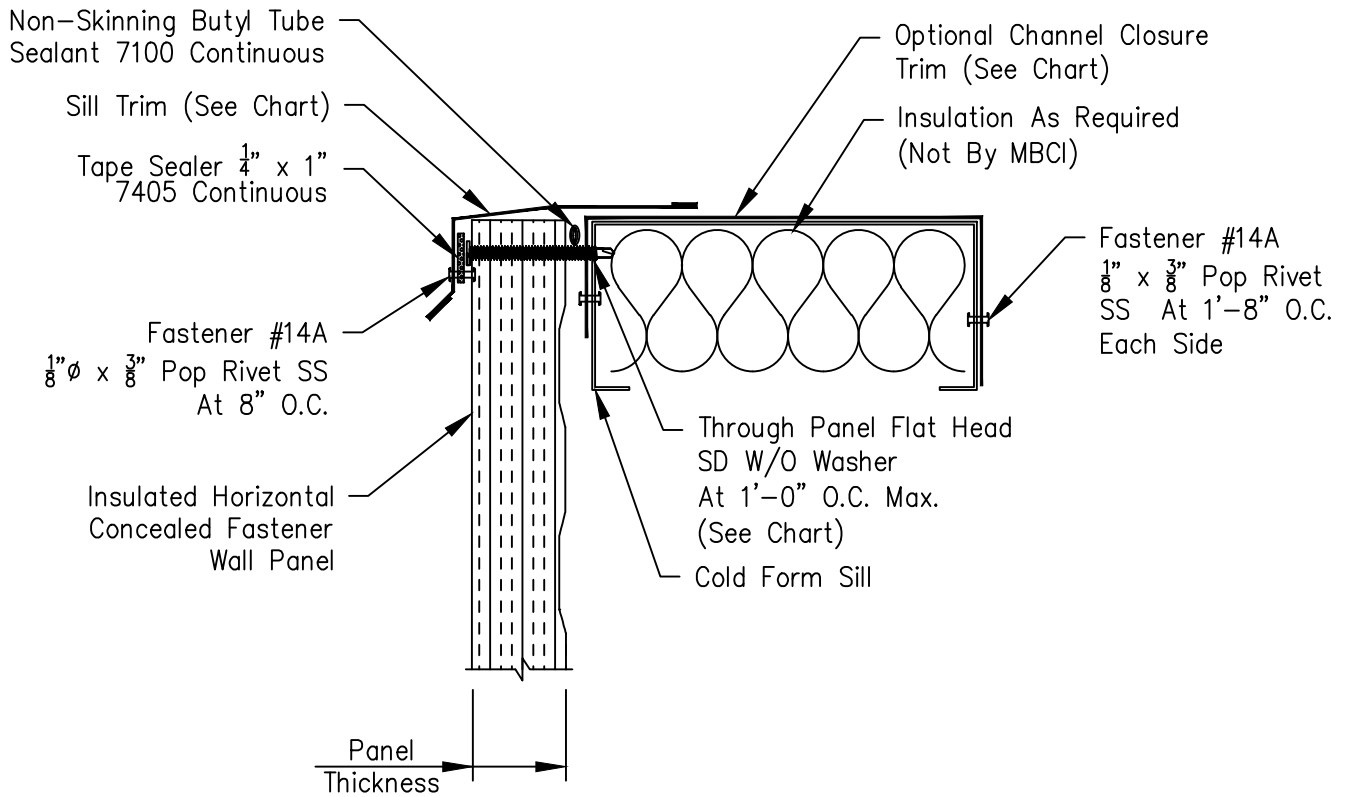


Horizontal Insulated CF Wall Panel Sill With Standard Trim



Installer Note:
The interior leg of the installed Channel Closure Trim is to be oriented ($\pm \frac{1}{8}$ ") to match the interior leg of the Header or Jamb.

Wall Panel Thickness	Sill Trim	Through Fastener
2"	F5501	#1424
2½"	F5503	#1432
3"	F5507	#1432
4"	F5509	#1440
5"	F4024	#1448
6"	F4025	#1464

Member Size	Channel Closure
8"	F981
10"	F982
12"	F169