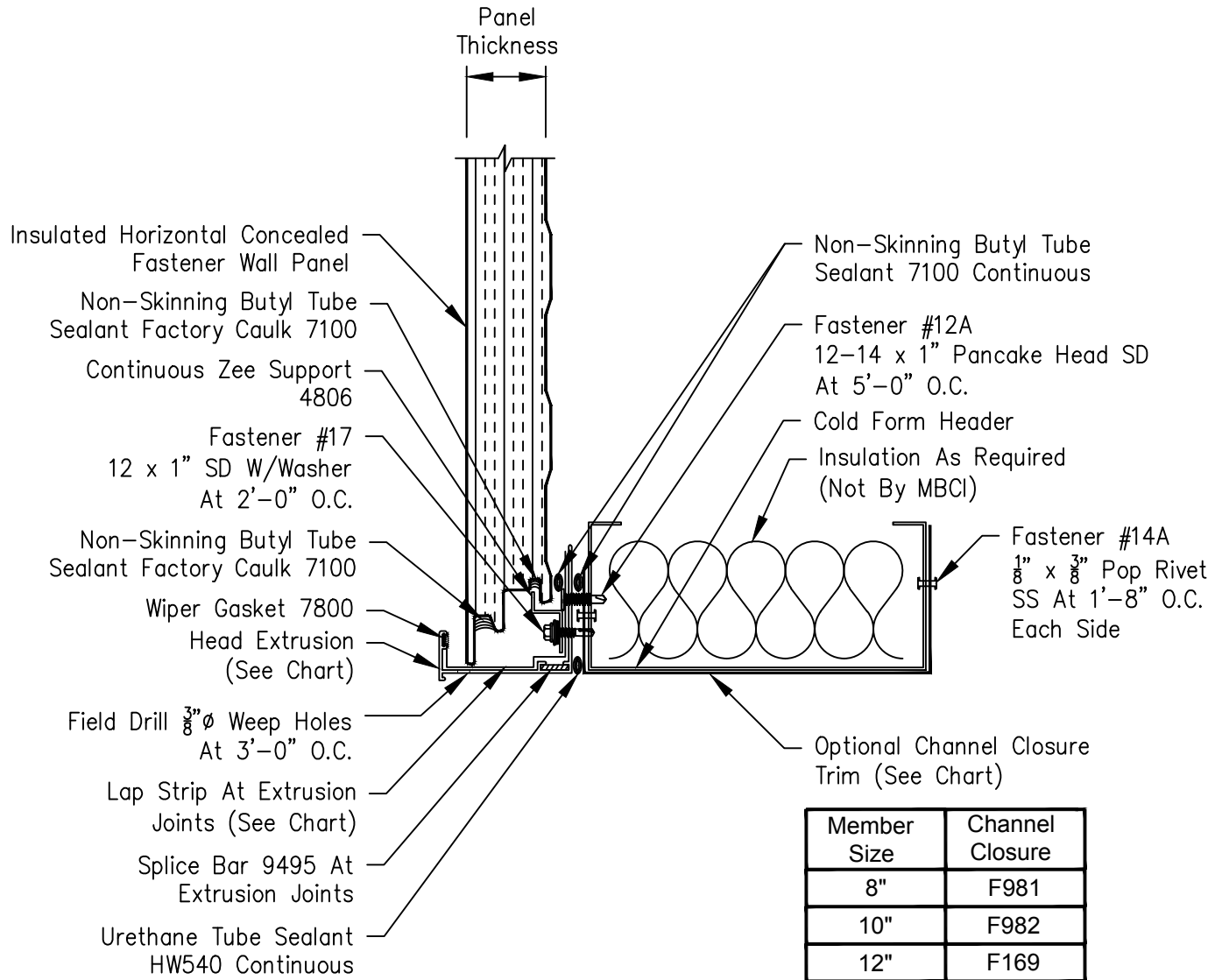


# Horizontal Insulated CF Wall Panel Head With Extruded Trim



Member Size	Channel Closure
8"	F981
10"	F982
12"	F169

**Installer Note:**  
The interior leg of the Installed Channel Closure Trim is to be oriented ( $\pm \frac{1}{8}$ "") to match the interior leg of the Header or Jamb.

Panel Thickness	Head Extrusion	Lap Strip
2"	9405	9497
2½"	9406	9500
3"	9407	9501
4"	9404	9490

