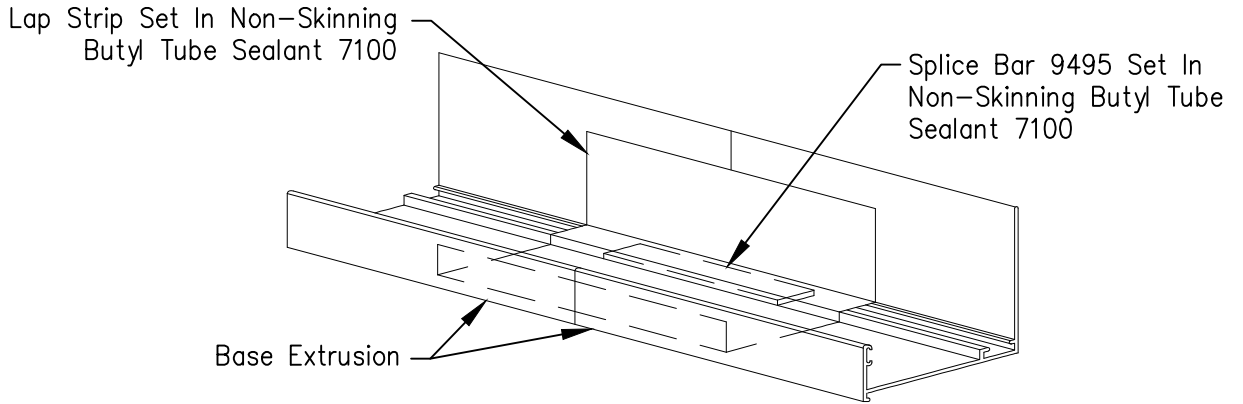
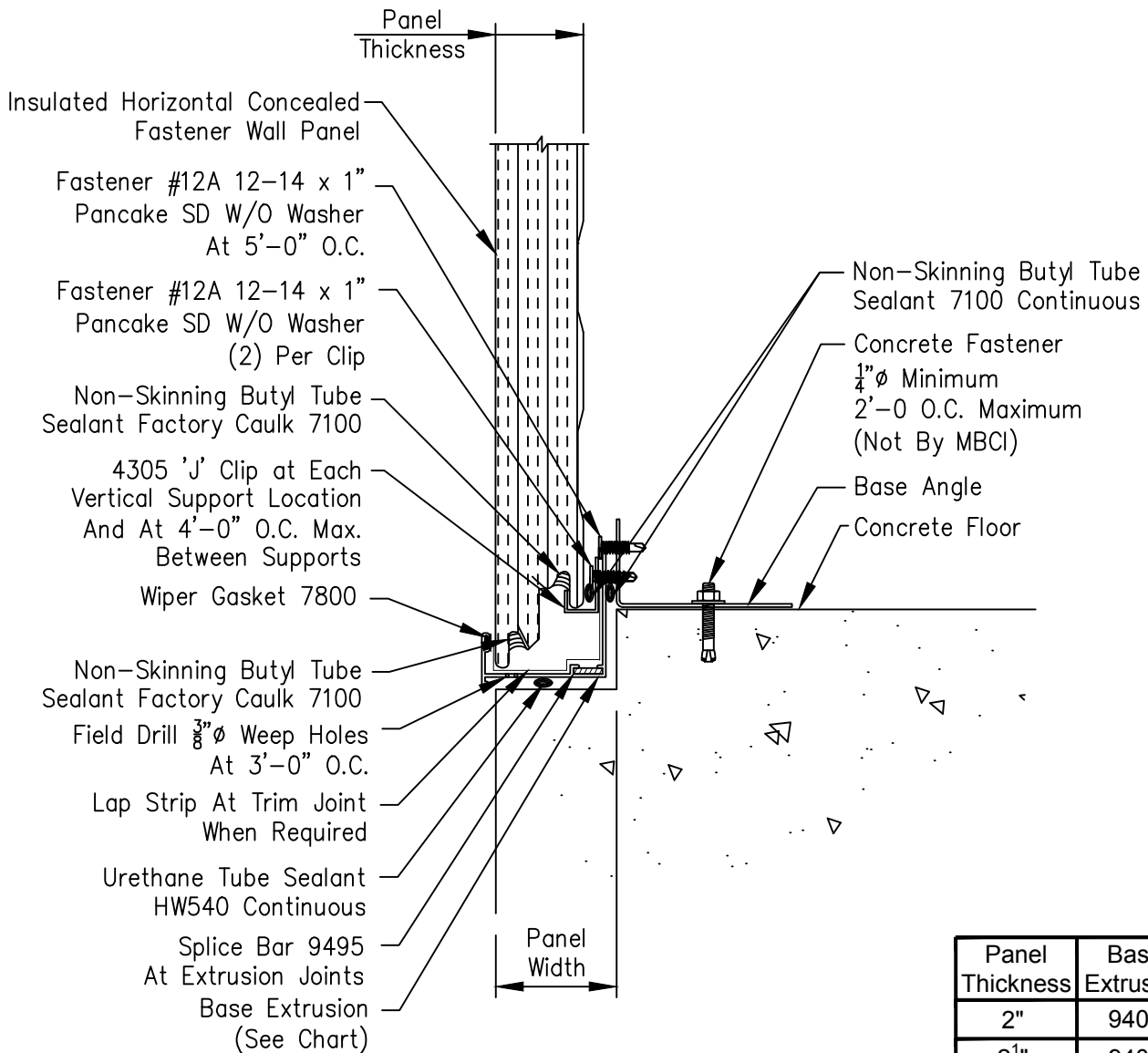


# Horizontal Insulated CF Wall Panel Base With Notch And Extruded Trim



Extruded Trim Joint Detail



Panel Thickness	Base Extrusion	Lap Strip
2"	9405	9497
2 $\frac{1}{2}$ "	9406	9500
3"	9407	9501
4"	9404	9490