



DEPARTMENT OF REGULATORY AND ECONOMIC RESOURCES
BOARD AND CODE ADMINISTRATION DIVISION

MIAMI-DADE COUNTY
PRODUCT CONTROL SECTION
11805 SW 26 Street, Room 208
Miami, Florida 33175-2474
T (786) 315-2590 F (786) 315-2599

www.miamidade.gov/economy

NOTICE OF ACCEPTANCE (NOA)

NCI Group, Inc.
14031 West Hardy
Houston, TX 77060

SCOPE:

This NOA is being issued under the applicable rules and regulations governing the use of construction materials. The documentation submitted has been reviewed and accepted by Miami-Dade County RER-Product Control Section to be used in Miami Dade County and other areas where allowed by the Authority Having Jurisdiction (AHJ).

This NOA shall not be valid after the expiration date stated below. The Miami-Dade County Product Control Section (In Miami Dade County) and/or the AHJ (in areas other than Miami Dade County) reserve the right to have this product or material tested for quality assurance purposes. If this product or material fails to perform in the accepted manner, the manufacturer will incur the expense of such testing and the AHJ may immediately revoke, modify, or suspend the use of such product or material within their jurisdiction. RER reserves the right to revoke this acceptance, if it is determined by Miami-Dade County Product Control Section that this product or material fails to meet the requirements of the applicable building code.

This product is approved as described herein, and has been designed to comply with the High Velocity Hurricane Zone of the Florida Building Code.

DESCRIPTION: "Superlok-16 " (0.024" min.) Structural Galvalume Coated Standing Seam Roof Panel

APPROVAL DOCUMENT: Drawing No. none, titled " Superlok Panel Detail", sheets 1 through 7, prepared by NCI Group, Inc., dated August 01, 2017, signed and sealed by Mark Detwiler, P.E., on August 01, 2017, bearing the Miami-Dade County Product Control Revision stamp with the Notice of Acceptance number and the expiration date by the Miami-Dade County Product Control Section.

MISSILE IMPACT RATING: Large and Small Missile Impact Resistant

LABELING: Each panel shall bear a permanent label with the manufacturer's name or logo, city, state and the following statement: "Miami-Dade County Product Control Approved", unless otherwise noted herein.

RENEWAL of this NOA shall be considered after a renewal application has been filed and there has been no change in the applicable building code negatively affecting the performance of this product.

TERMINATION of this NOA will occur after the expiration date or if there has been a revision or change in the materials, use, and/or manufacture of the product or process. Misuse of this NOA as an endorsement of any product, for sales, advertising or any other purposes shall automatically terminate this NOA. Failure to comply with any section of this NOA shall be cause for termination and removal of NOA.

ADVERTISEMENT: The NOA number preceded by the words Miami-Dade County, Florida, and followed by the expiration date may be displayed in advertising literature. If any portion of the NOA is displayed, then it shall be done in its entirety.

INSPECTION: A copy of this entire NOA shall be provided to the user by the manufacturer or its distributors and shall be available for inspection at the job site at the request of the Building Official.

This NOA **revises & renews** NOA # 12-0123.07 and consists of this page 1, evidence submitted pages E-1, E-2, E-3, & E-4 as well as approval document mentioned above.

The submitted documentation was reviewed by **Helmy A. Makar, P.E., M.S.**



Helmy A. Makar
08/31/2017

NOA No. 17-0626.04
Expiration Date: 12/10/2022
Approval Date: 08/31/2017

NOTICE OF ACCEPTANCE: EVIDENCE SUBMITTED

1. EVIDENCE SUBMITTED UNDER PREVIOUS APPROVAL # 98-0529.06

A. DRAWINGS

1. *Drawing No. SL, titled "Superlok Details", prepared by Terrence E. Wolfe, P.E., dated March 25, 1998, last revision #2 dated September 28, 1998, sheets 1, 2, 3, 4, 5, 6, and 7, signed and sealed by Terrence E. Wolfe, P.E.*

B. TESTS

1. *Test report on Large Missile Impact Test, PA 201, on 24 ga. Superlok Roof Panel, prepared by Farabaugh Engineering and Testing, Inc., Report No. FET98001-T107-98, dated 02/12/98, signed and sealed by Daniel G. Farabaugh, P.E.*
2. *Test report on Uniform Static Air Pressure, ASTM 1592-95, on 24 ga. Superlok Roof Panel, prepared by Farabaugh Engineering and Testing, Inc., Report No. FET97005-T167-97, dated 11/26/97, signed and sealed by Daniel G. Farabaugh, P.E.*
3. *Susceptibility to leakage test in accordance with Miami-Dade county Protocol PA 114 Appendix G on 24 ga. Superlok Roof Panel, prepared by Celotex, Report No. 258444 CAE 97129, dated May 1 thru 8, 1998, signed and sealed by R. G. Miller, P.E.*
4. *Wind Driven Rain Test in accordance with Miami-Dade county Protocol PA 100-95 on 24 ga. Superlok Roof Panel, prepared by Celotex, Report No. 258444A CAE 97193, dated March 10, 1998, signed and sealed by R. G. Miller, P.E.*

C. CALCULATIONS

1. *Calculations titled "Superlok - 24 ga", dated 05/26/98, pages 1 and 2, prepared Terrence E. Wolfe, P.E., signed and sealed by Terrence E. Wolfe P.E.*

D. MATERIAL CERTIFICATIONS

1. *Mill Certified Test Report issued by Bethlehem Steel Corporation, dated 06/22/98, with chemical composition and mechanical properties of galvalume painted structural steel coils ASTM A792-96 SS Grade 50B.*
2. *Tensile Test File No. WP-9048 Report No. 055, prepared by West Penn Testing Laboratories, Inc., dated 12/12/97, signed Todd A. Ault (M.E.T.).*

2. EVIDENCE SUBMITTED UNDER PREVIOUS APPROVAL # 01-0814.04

A. DRAWINGS

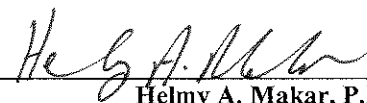
1. *None.*

B. TESTS

1. *None.*

C. CALCULATIONS

1. *None.*



Helmy A. Makar, P.E., M.S.
Product Control Section Supervisor
NOA No. 17-0626.04
Expiration Date: 12/10/2022
Approval Date: 08/31/2017

NCI Group, Inc.

NOTICE OF ACCEPTANCE: EVIDENCE SUBMITTED

D. MATERIAL CERTIFICATIONS

1. *None.*

3. EVIDENCE SUBMITTED UNDER PREVIOUS APPROVAL #06-0612.02

A. DRAWINGS

1. *None.*

B. TESTS

1. *None.*

C. CALCULATIONS

1. *None.*

D. QUALITY ASSURANCE

1. *By Miami-Dade County Building Code Compliance Office.*

E. MATERIAL CERTIFICATIONS

1. *None.*

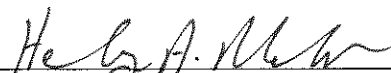
4. EVIDENCE SUBMITTED UNDER PREVIOUS APPROVAL # 07-1025.04

A. DRAWINGS

1. *None.*

B. TESTS

1. *Test report on Large Missile Impact Test, PA 201, on 24 ga. Superlok Roof Panel, prepared by Farabaugh Engineering and Testing, Inc., Report No. FET98001-T107-98, dated 02/12/98, signed and sealed by Daniel G. Farabaugh, P.E.*
2. *Test report on Uniform Static Air Pressure, ASTM 1592-95, on 24 ga. Superlok Roof Panel, prepared by Farabaugh Engineering and Testing, Inc., Report No. FET97005-T167-97, dated 11/26/97, signed and sealed by Daniel G. Farabaugh, P.E.*
3. *Susceptibility to leakage test in accordance with Miami-Dade county Protocol PA 114 Appendix G on 24 ga. Superlok Roof Panel, prepared by Celotex, Report No. 258444 CAE 97129, dated May 1 thru 8, 1998, signed and sealed by R. G. Miller, P.E.*
4. *Wind Driven Rain Test in accordance with Miami-Dade county Protocol PA 100-95 on 24 ga. Superlok Roof Panel, prepared by Celotex, Report No. 258444A CAE 97193, dated March 10, 1998, signed and sealed by R. G. Miller, P.E.*



Helmy A. Makar, P.E., M.S.
Product Control Section Supervisor

NOA No. 17-0626.04

Expiration Date: 12/10/2022

Approval Date: 08/31/2017

NCI Group, Inc.

NOTICE OF ACCEPTANCE: EVIDENCE SUBMITTED

C. CALCULATIONS

1. *None.*

D. QUALITY ASSURANCE

1. *By Miami-Dade County Building Code Compliance Office.*

E. MATERIAL CERTIFICATIONS

1. *None.*

5. EVIDENCE SUBMITTED UNDER PREVIOUS APPROVAL # 11-0810.06

A. DRAWINGS

1. *Drawing No. none, titled " Superlok Panel Detail", sheets 1 through 7, prepared by NCI Group, Inc., dated July 27, 2011, signed and sealed by Mark Detwiler, P.E., on July 27, 2011.*

B. TESTS

1. *None.*

C. CALCULATIONS

1. *None.*

D. QUALITY ASSURANCE

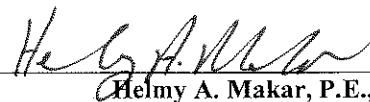
1. *By Miami-Dade County Department of Permitting, Environment, and Regulatory Affairs.*

E. MATERIAL CERTIFICATIONS

1. *None.*

F. OTHERS

1. *Bill of Sale.*



Helmy A. Makar, P.E., M.S.
Product Control Section Supervisor

NOA No. 17-0626.04

Expiration Date: 12/10/2022

Approval Date: 08/31/2017

NCI Group, Inc.

NOTICE OF ACCEPTANCE: EVIDENCE SUBMITTED

6. EVIDENCE SUBMITTED UNDER PREVIOUS APPROVAL # 12-0123.07

A. DRAWINGS

1. *Drawing No. none, titled " Superlok Panel Detail", sheets 1 through 7, prepared by NCI Group, Inc., dated June 06, 2012, signed and sealed by Mark Detwiler, P.E.*

B. TESTS

1. *Test report on Uniform Static Air Pressure, ASTM 1592-95, on 24 ga. Superlok Roof Panel, prepared by Force Engineering & Testing, Inc., Report No. 07-0212T-07A, B, dated 07/10/2007, signed and sealed by Terrence E. Wolfe, P.E.*

C. CALCULATIONS

1. *None.*

D. QUALITY ASSURANCE

1. *By Miami-Dade County Department of Regulatory and Economic Resources.*

E. MATERIAL CERTIFICATIONS

1. *None.*

7. NEW EVIDENCE SUBMITTED

A. DRAWINGS

1. *Drawing No. none, titled " Superlok Panel Detail", sheets 1 through 7, prepared by NCI Group, Inc., dated August 01, 2017, signed and sealed by Mark Detwiler, P.E., on August 01, 2017.*

B. TESTS

1. *None.*

C. CALCULATIONS

1. *None.*

D. QUALITY ASSURANCE

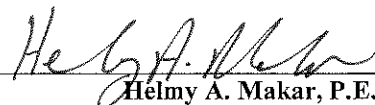
1. *By Miami-Dade County Department of Regulatory and Economic Resources.*

E. MATERIAL CERTIFICATIONS

1. *None.*

F. STATEMENTS

1. *FBC, 2014 Edition Compliance Letter prepared by NCI Group, Inc., dated August 08, 2017, signed and sealed by Jason Allen, P.E.*



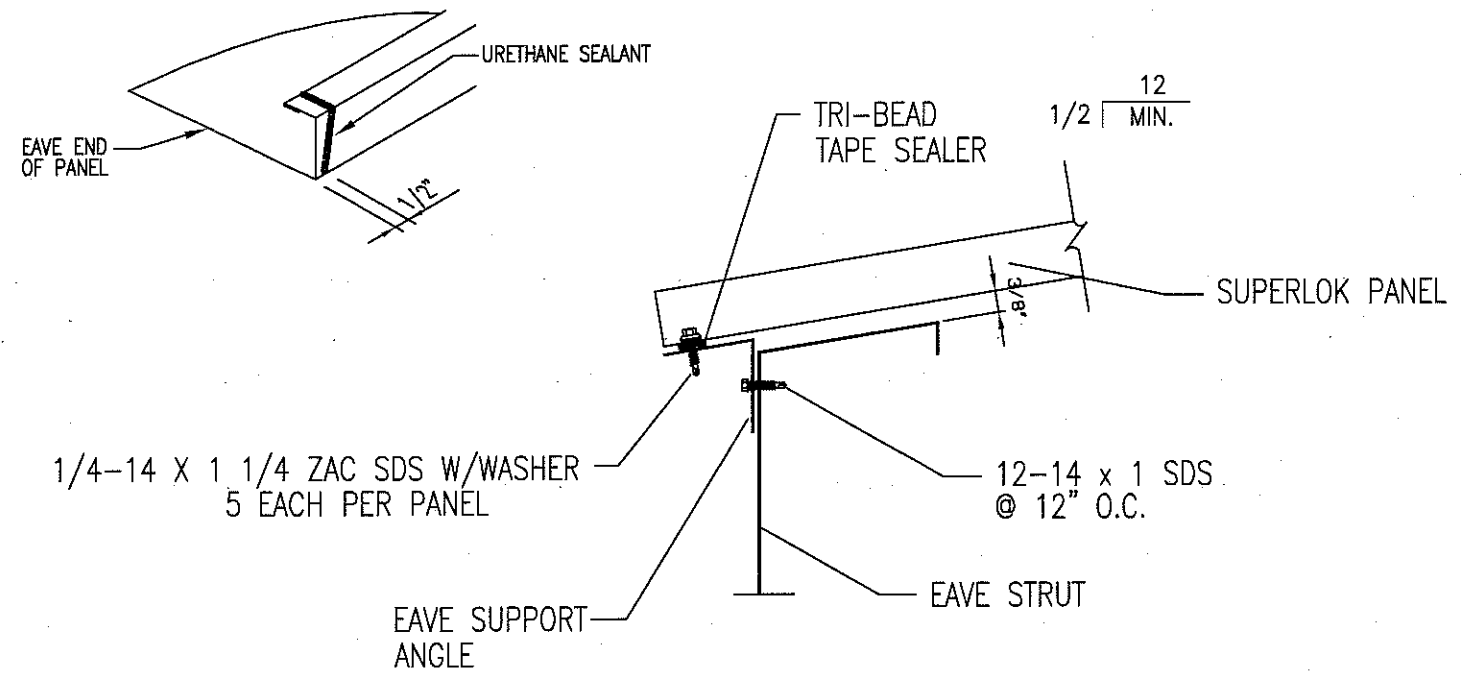
Helmy A. Makar, P.E., M.S.
Product Control Section Supervisor

NOA No. 17-0626.04

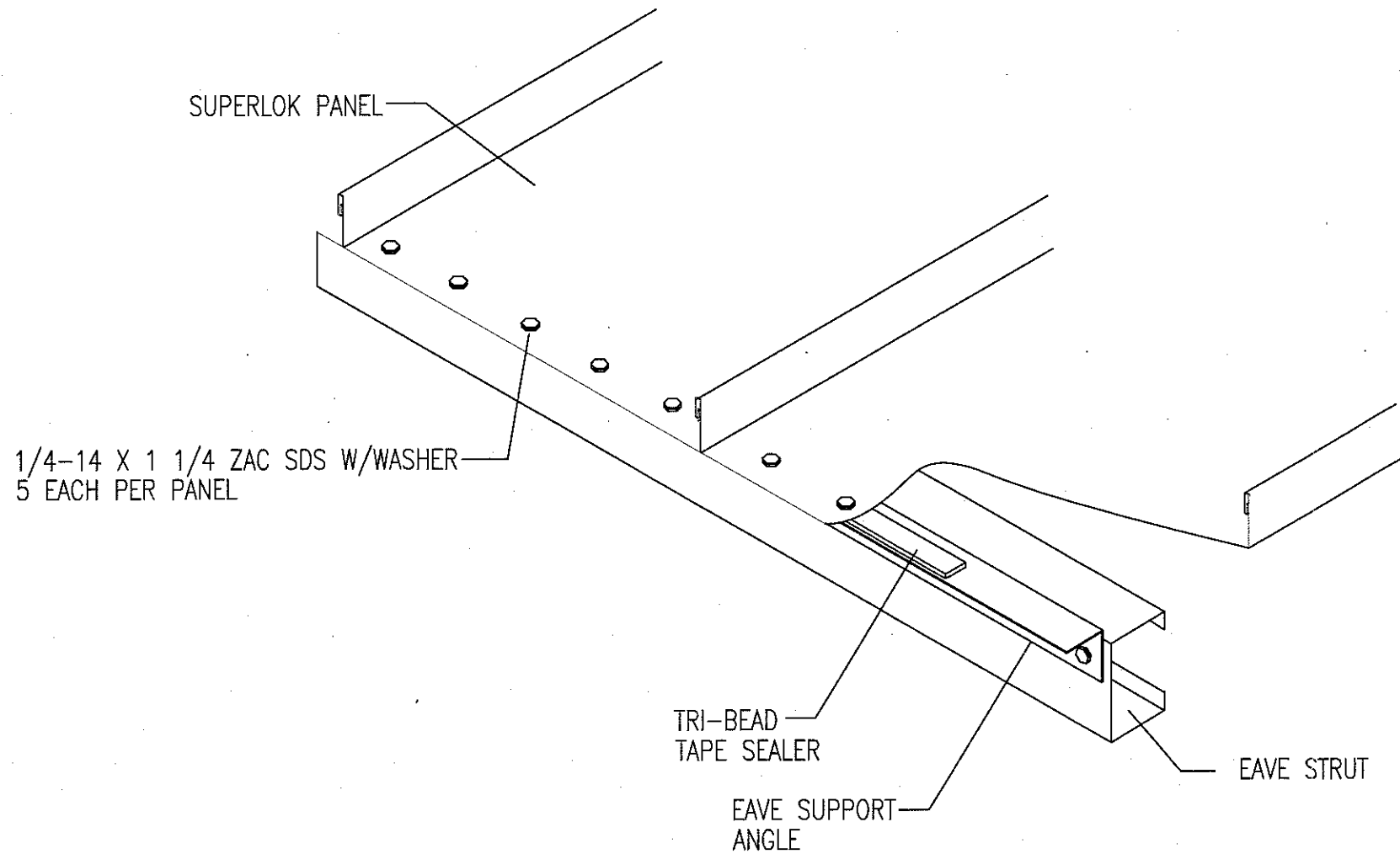
Expiration Date: 12/10/2022

Approval Date: 08/31/2017

TYPICAL DETAILS
EAVE



CROSS SECTION OF EAVE



ISOMETRIC VIEW OF EAVE

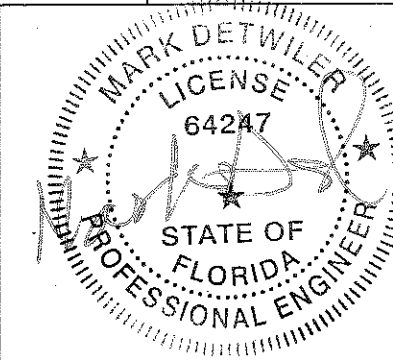
CK'd	By	Description	Date	Revision

NCI GROUP, INC.
 CORPORATE OFFICES: 17361 FAIRVIEW DR., HOUSTON TX 77041, 800 777-9378
 WALLING, 1 P.O. BOX 40280 HOUSTON TX 77240-0280
 Project Name and Location:
 DADE COUNTY PRODUCT APPROVAL
 DADE COUNTY, FLORIDA
 SHEET TITLE:
 SUPERLOK PANEL DETAIL

Scale: NOT TO SCALE
 Drawn by: EH
 Checked by: JA
 Job Number:
 Sheet Number: 1 OF 7

THESE DRAWINGS AND THE METAL COMPONENTS THEY REPRESENT ARE THE PRODUCT OF NCI GROUP OR ANOTHER DIVISION OR AFFILIATE OF NCI GROUP, INC. - 7301 FAIRVIEW DR., HOUSTON TX 77041. THE ENGINEER WHOSE SEAL APPEARS HEREIN IS EMPLOYED BY NCI GROUP OR ANOTHER DIVISION OR AFFILIATE OF NCI GROUP, INC. AND IS NOT THE ENGINEER OF RECORD FOR THIS PROJECT. THESE DRAWINGS MUST BE REVIEWED FOR PROJECT COMPLIANCE BY THE ENGINEER OF RECORD.

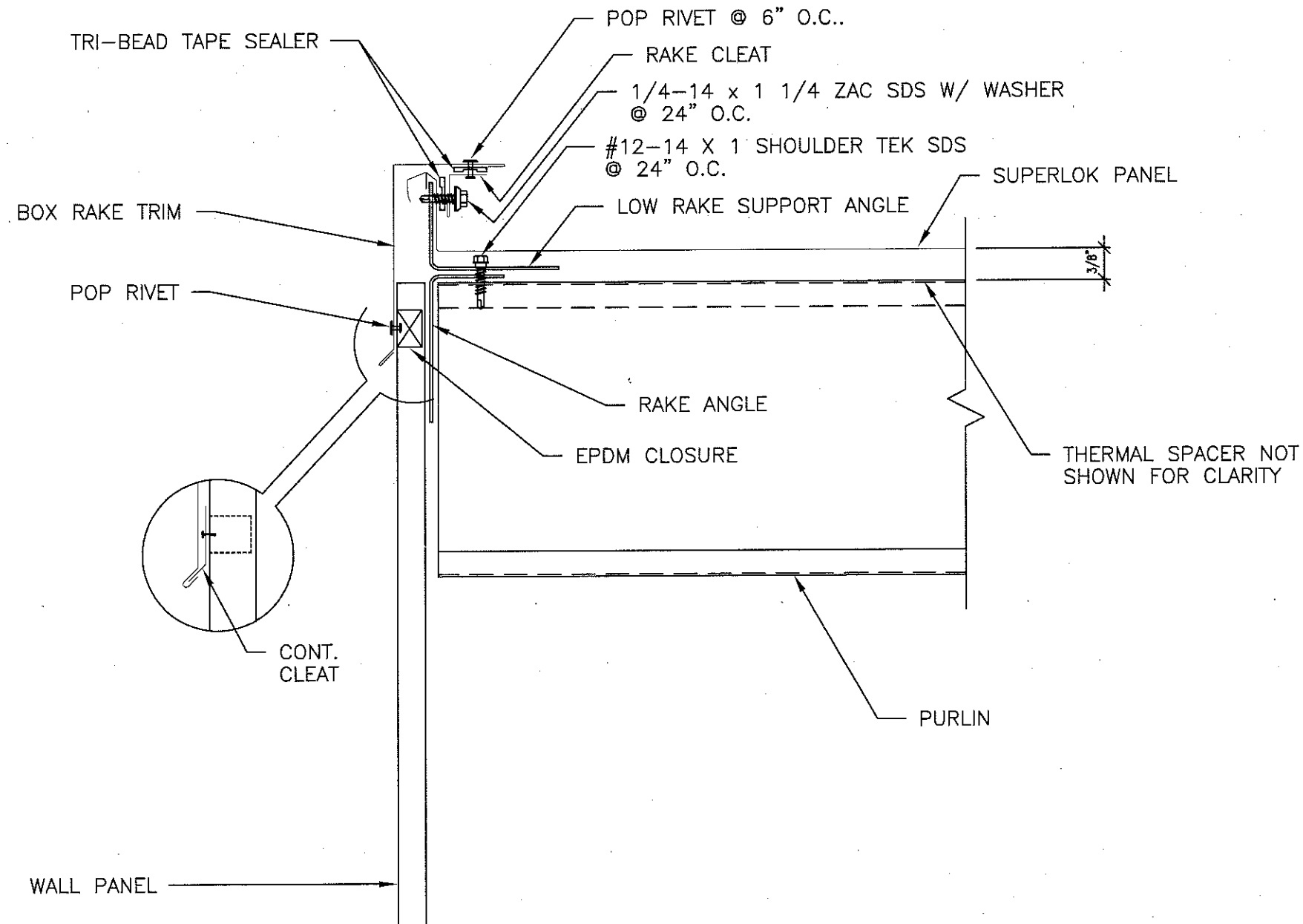
PRODUCT REVISED
 as complying with the Florida
 Building Code
 Acceptance No 17-0628.04
 Expiration Date 12/10/2022
 By *[Signature]*
 Miami Dade Product Control



8-1-17

TYPICAL DETAILS

RAKE



CROSS SECTION OF RAKE

CK'd	By	Description	Date	Revision

NCI GROUP, INC.
 CORPORATE OFFICES 1738 FAIRVIEW DR. HOUSTON TX 77041 8000 777-9078
 MAILING 1 P.O. BOX 4020 HOUSTON TX 77240-0220

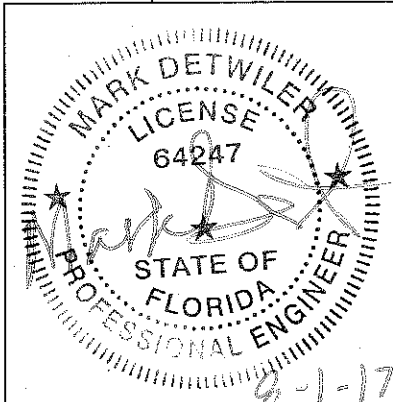
Project Name and Location:
 DADE COUNTY PRODUCT APPROVAL
 DADE COUNTY, FLORIDA

SHEET TITLE:
 SUPERLOK PANEL DETAIL

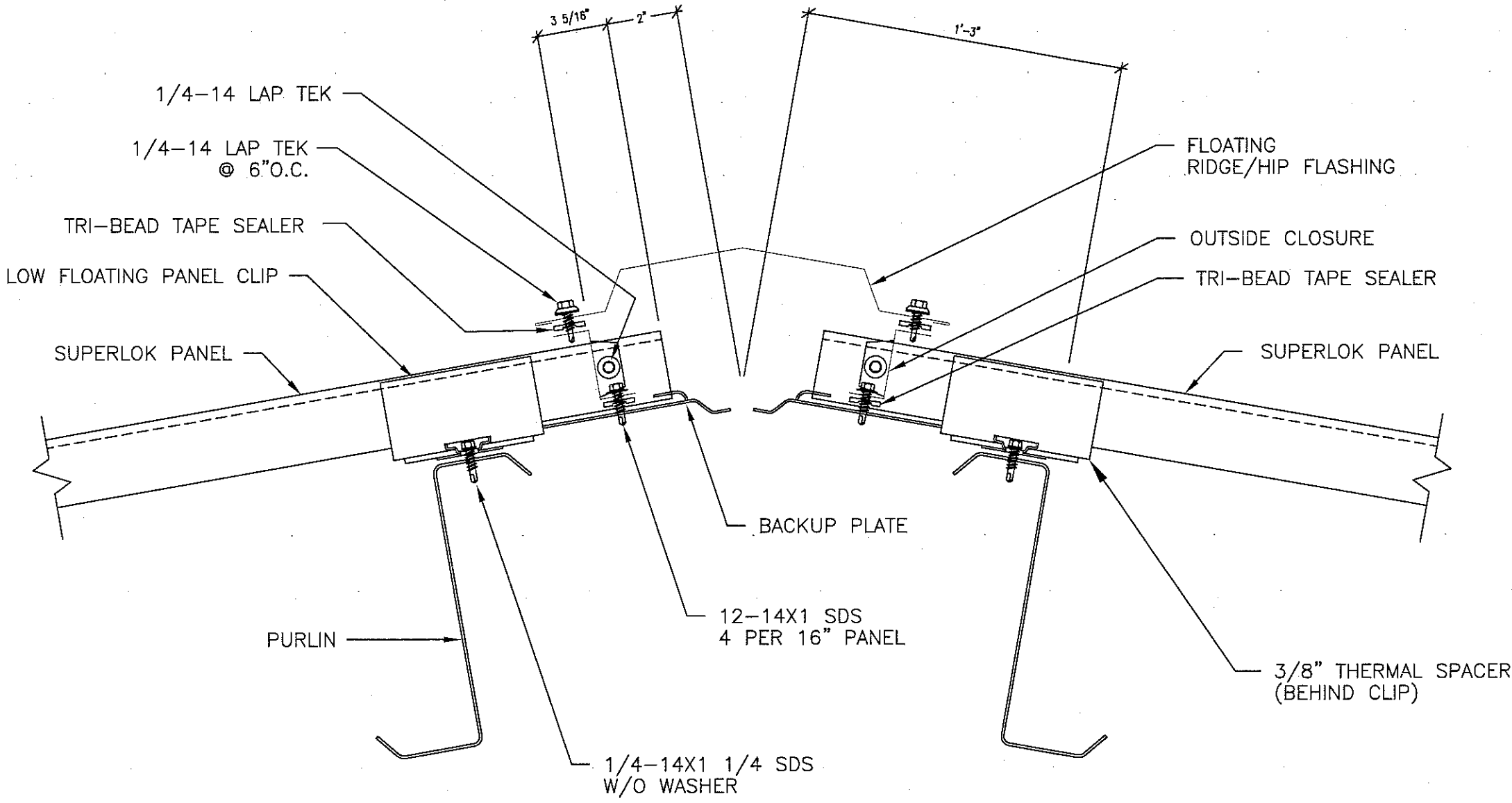
Scale: NOT TO SCALE
 Drawn by: EH
 Checked by: JA
 Job Number:
 Sheet Number: 2 OF 7

THESE DRAWINGS AND THE METAL COMPONENTS THEY REPRESENT ARE THE PRODUCT OF NCI GROUP OR ANOTHER DIVISION OR AFFILIATE OF NCI GROUP, INC. - 7301 FAIRVIEW DR. HOUSTON TX 77041. THE ENGINEER WHOSE SEAL APPEARS HEREIN IS EMPLOYED BY NCI GROUP OR ANOTHER DIVISION OR AFFILIATE OF NCI GROUP, INC. AND IS NOT THE ENGINEER OF RECORD FOR THIS PROJECT. THESE DRAWINGS MUST BE REVIEWED FOR PROJECT COMPLIANCE BY THE ENGINEER OF RECORD.

PRODUCT REVISED
 as complying with the Florida
 Building Code
 Acceptance No 17-0626.04
 Expiration Date 12/10/2021
 By *Heidi A. Peltz*
 Miami Design Product Control



TYPICAL DETAILS RIDGE



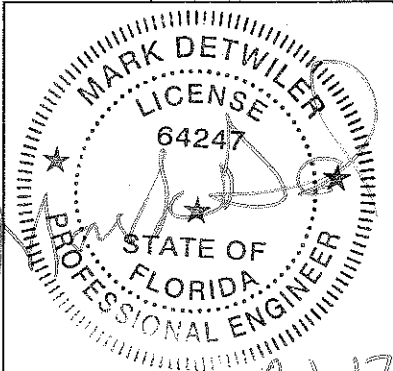
CROSS SECTION OF RIDGE

By	Ck'd	Description	Date	Revision

ncg GROUP, INC.
 CORPORATE OFFICES: 17301 FAIRVIEW DR. HOUSTON TX 77041 6800 777-9378
 MAILING: P.O. BOX 40220 HOUSTON TX 77240-0220
 Project Name and Location:
 DADE COUNTY PRODUCT APPROVAL
 DADE COUNTY, FLORIDA
 SHEET TITLE:
 SUPERLOK PANEL DETAIL

Scale: NOT TO SCALE
 Drawn by: EH
 Checked by: JA
 Job Number:
 Sheet Number: 3 OF 7
 THESE DRAWINGS AND THE METAL COMPONENTS THEY REPRESENT ARE THE PRODUCT OF NCI GROUP OR ANOTHER DIVISION OR AFFILIATE OF NCI GROUP, INC. - 7301 FAIRVIEW DR. HOUSTON TX 77041. THE ENGINEER WHOSE SEAL APPEARS HEREIN IS EMPLOYED BY NCI GROUP OR ANOTHER DIVISION OR AFFILIATE OF NCI GROUP, INC. AND IS NOT THE ENGINEER OF RECORD FOR THIS PROJECT. THESE DRAWINGS MUST BE REVIEWED FOR PROJECT COMPLIANCE BY THE ENGINEER OF RECORD.

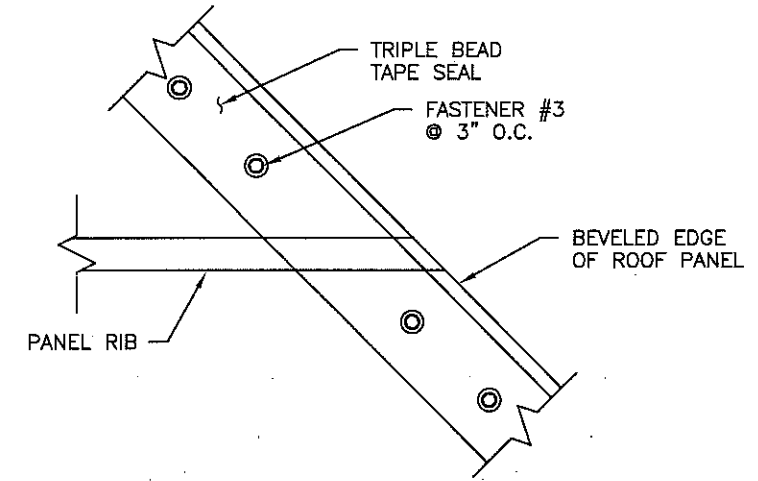
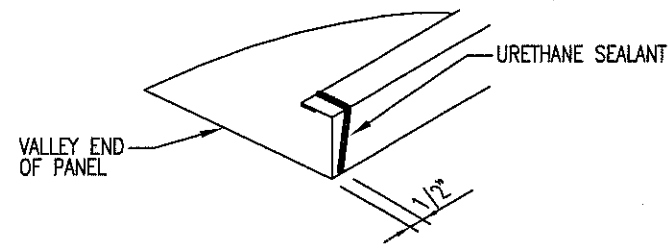
PRODUCT REVISED
 as complying with the Florida
 Building Code
 Acceptance No 17-0626.04
 Expiration Date 12/10/2022
 By: *Heather A. Allen*
 Miami Dept. Product Control



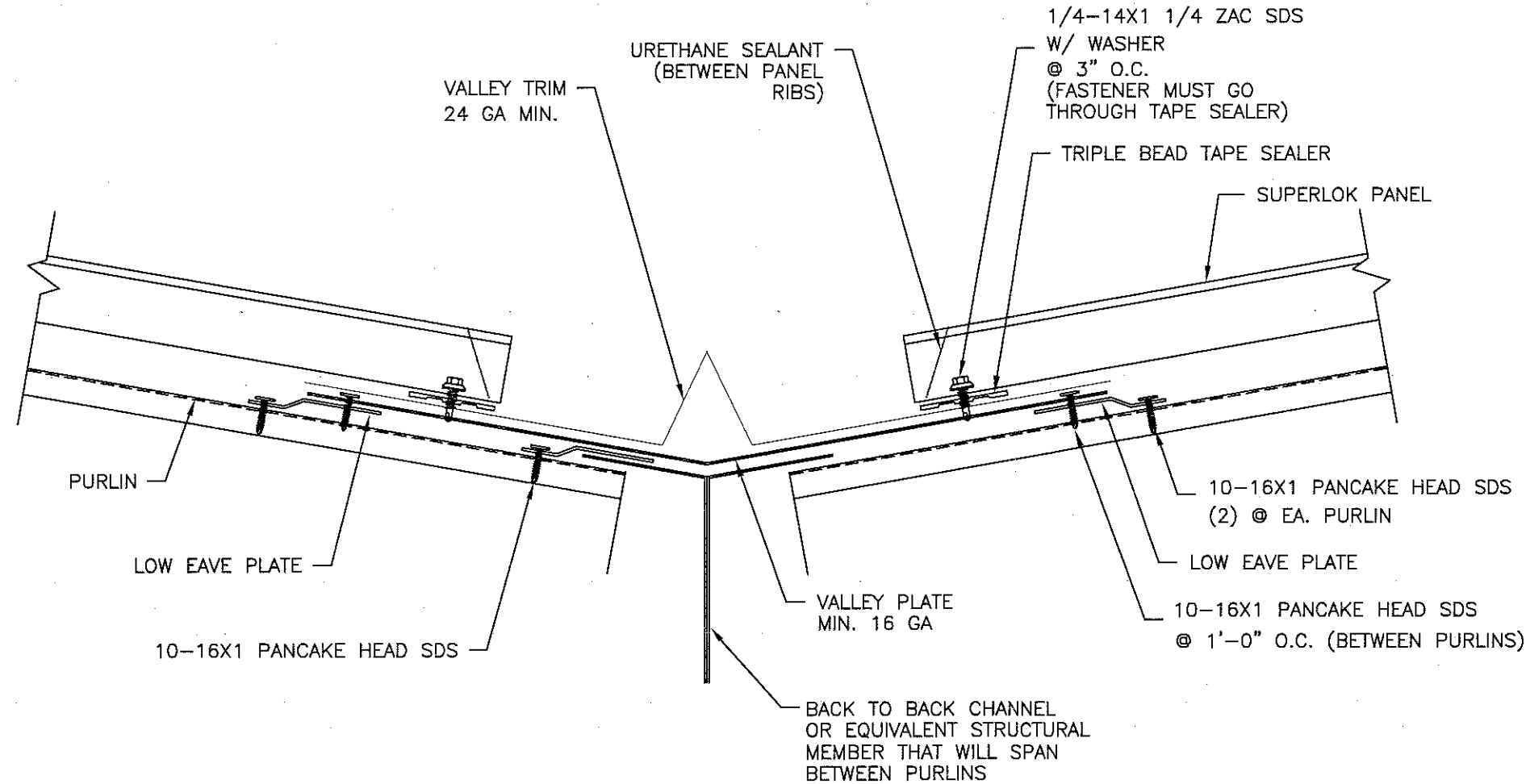
8-1-17

TYPICAL DETAILS

VALLEY



ISOMETRIC VIEW OF VALLEY



CROSS SECTION OF VALLEY

By	Ck'd

Description	Date	Revision

Scale: NOT TO SCALE

Drawn by: EH

Checked by: JA

Job Number:

Sheet Number: 4 OF 7

THESE DRAWINGS AND THE METAL COMPONENTS THEY REPRESENT ARE THE PRODUCT OF NCI GROUP OR ANOTHER DIVISION OR AFFILIATE OF ANOTHER DIVISION OF NCI GROUP, INC. - 7361 FAIRVIEW DR. HOUSTON TX 77041. THE ENGINEER WHOSE SEAL APPEARS HEREON IS EMPLOYED BY NCI GROUP OR ANOTHER DIVISION OR AFFILIATE OF NCI GROUP, INC. AND IS NOT THE ENGINEER OF RECORD FOR THIS PROJECT. THESE DRAWINGS MUST BE REVIEWED FOR PROJECT COMPLIANCE BY THE ENGINEER OF RECORD.

NCI GROUP, INC.
CORPORATE OFFICES: 1700 FAIRVIEW DR. HOUSTON TX 77041 (800) 777-8070
MAILING: P.O. BOX 4820 HOUSTON TX 77240-0020

Project Name and Location:
DADE COUNTY PRODUCT APPROVAL
DADE COUNTY, FLORIDA

SHEET TITLE:
SUPERLOK PANEL DETAIL

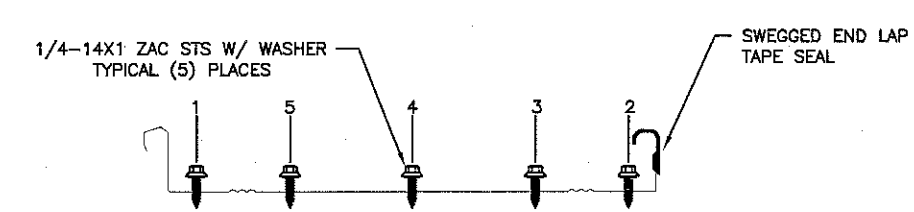
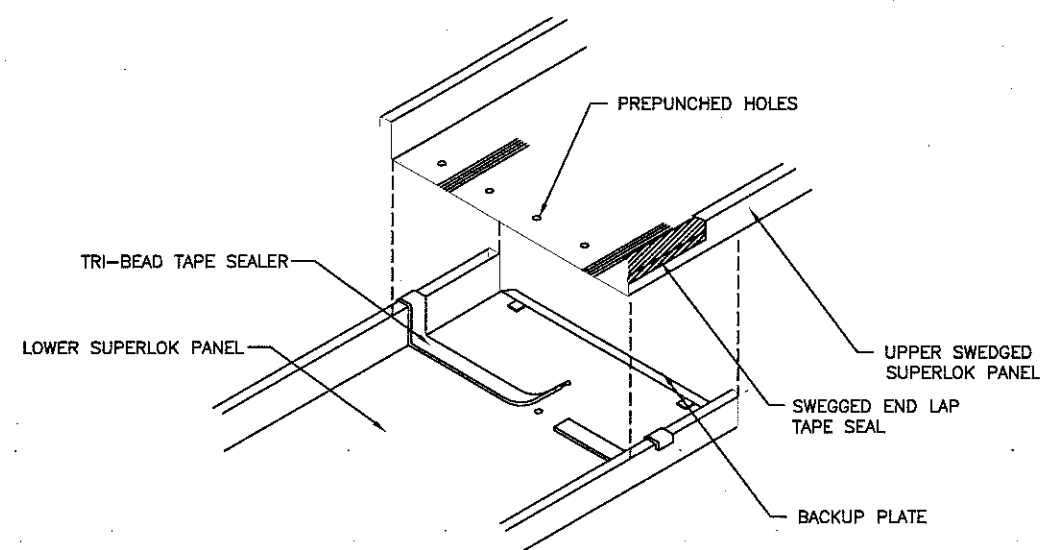
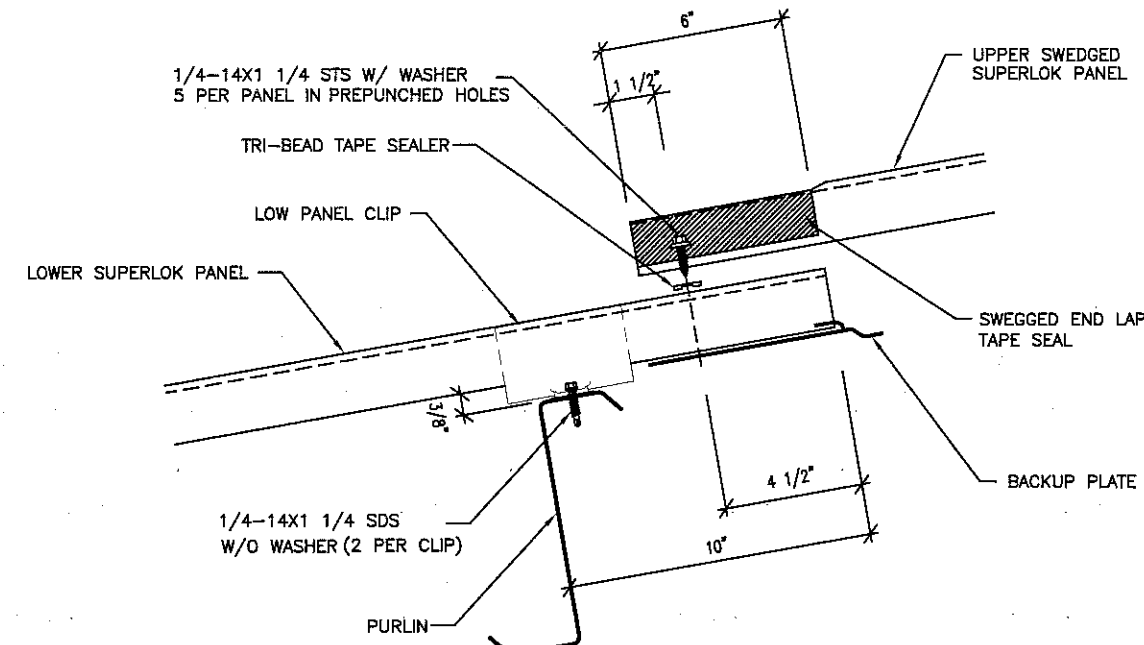
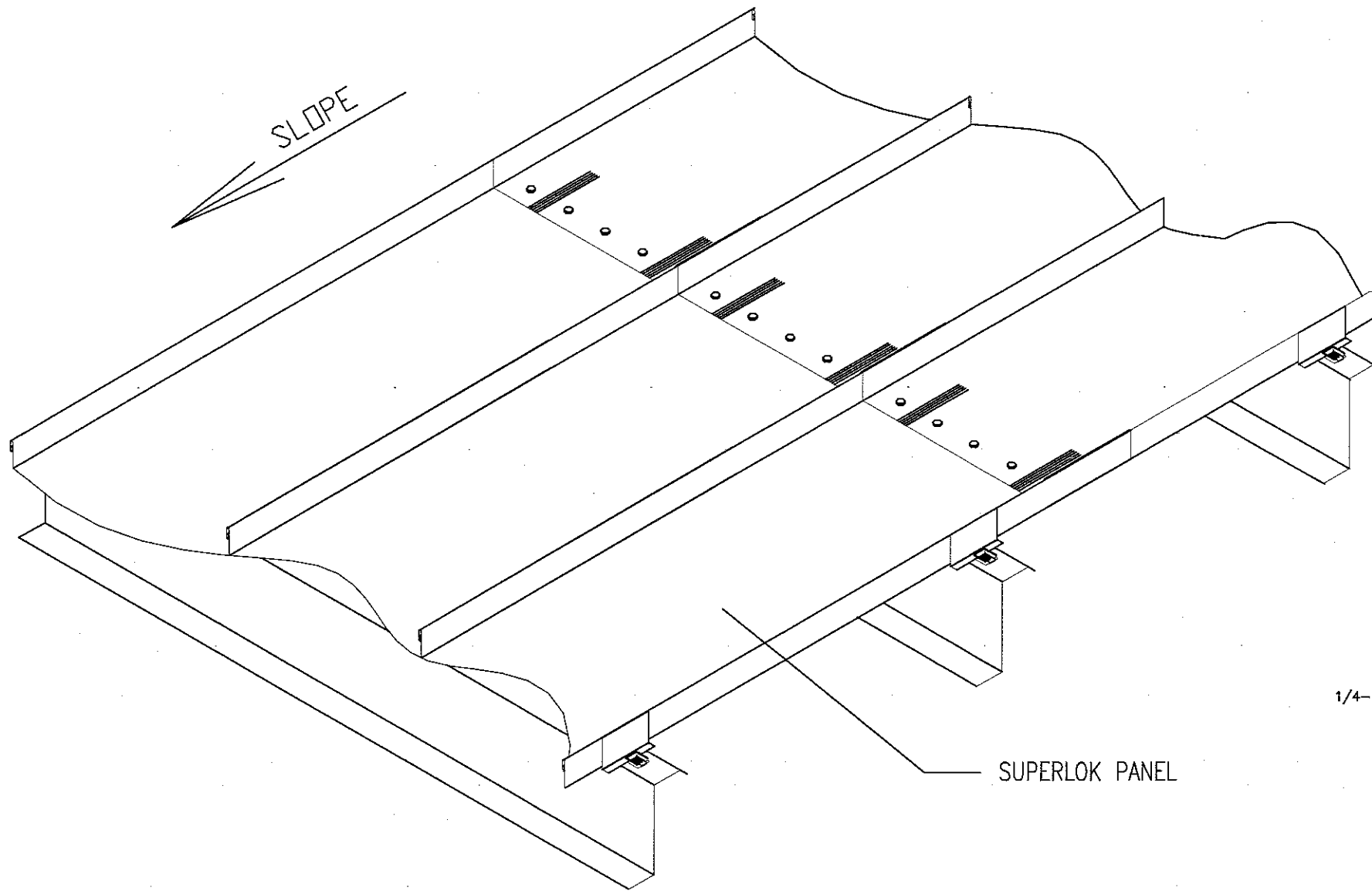
MARK DETWILER
LICENSE 64247
PROFESSIONAL ENGINEER
STATE OF FLORIDA

By: *Hebert*
Miami Dade Product Control

8-1-17

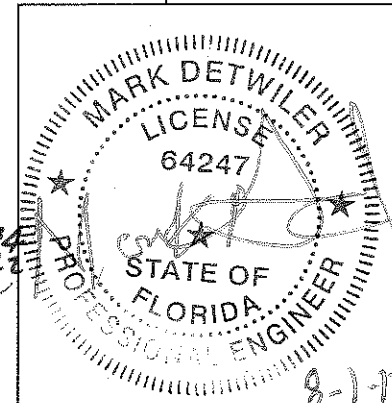
PRODUCT REVISED
as complying with the Florida
Building Code
Acceptance No 17-0626.04
Expiration Date 12/10/2022

TYPICAL DETAILS PANEL LAPS



FASTENER INSTALLATION SEQUENCE

PRODUCT REVISED
as complying with the Florida
Building Code
Acceptance No 17-p626-04
Expiration Date 12/18/2022
By: *Heidi Miller*
Miami Design Product Control



By	Ck'd	Description	Date	Revision

Scale: NOT TO SCALE

Drawn by: EH

Checked by: JA

Job Number:

Sheet Number: 5 OF 7

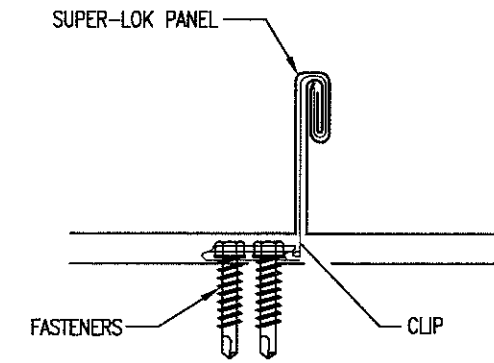
THESE DRAWINGS AND THE METAL COMPONENTS THEY REPRESENT ARE THE PRODUCT OF NCI GROUP OR ANOTHER DIVISION OR AFFILIATE OF NCI GROUP, INC. - 7301 FAIRVIEW DR., HOUSTON TX 77041. THE ENGINEER WHOSE SEAL APPEARS HEREIN IS EMPLOYED BY NCI GROUP OR ANOTHER DIVISION OR AFFILIATE OF NCI GROUP, INC. AND IS NOT THE ENGINEER OF RECORD FOR THIS PROJECT. THESE DRAWINGS MUST BE REVIEWED FOR PROJECT COMPLIANCE BY THE ENGINEER OF RECORD.

nci GROUP, INC.
CORPORATE OFFICES 7301 FAIRVIEW DR. HOUSTON TX 77041 (800) 777-9378
CORPORATE BUILDING 1 PALM BLVD. #4020 HOUSTON TX 77041-4020

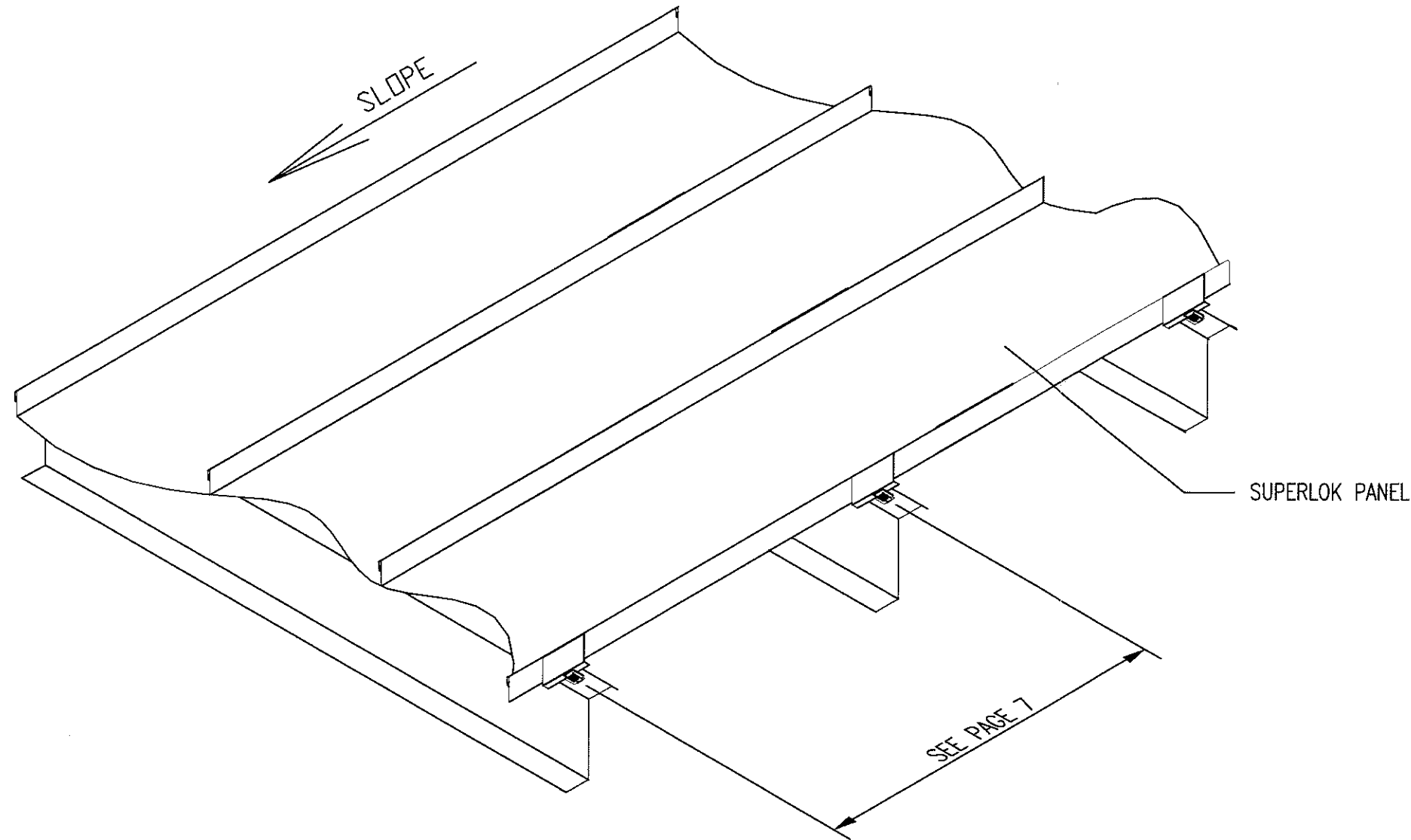
Project Name and Location:
BRADE COUNTY PRODUCT APPROVAL
BRADE COUNTY, FLORIDA

SHEET TITLE:
SUPERLOK PANEL DETAIL

TYPICAL DETAILS
FASTENER DIAGRAM




CROSS SECTION
AFTER SEAMING



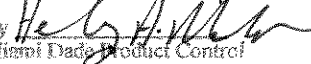
ISOMETRIC VIEW OF SUPERLOK PANEL

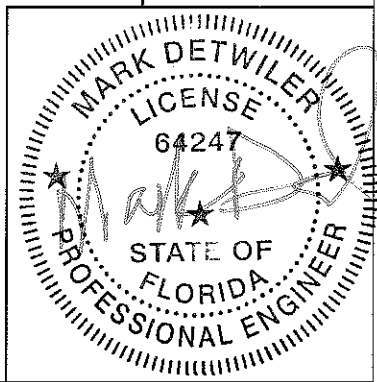
Revision	Date	Description	By	Ch'g

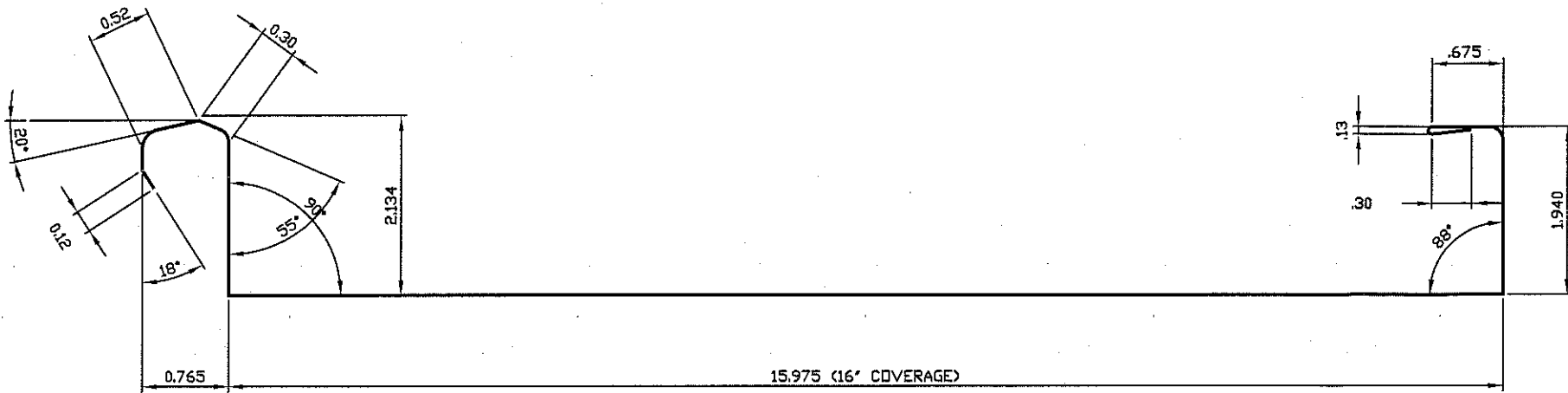

NCI GROUP, INC.
 CORPORATE OFFICE: 7381 FAIRVIEW DR. HOUSTON TX 77041 2810 777-9378
 PAULINA 1741 BAY VIEWS HOUSTON TX 77060-9828
 SHEET TITLE: SUPERLOK PANEL DETAIL
 Project Name and Location:
 DADE COUNTY PRODUCT APPROVAL
 DADE COUNTY, FLORIDA

Scale: **NOT TO SCALE**
 Drawn by: **EH**
 Checked by: **JA**
 Job Number:
 Sheet Number: **6 OF 7**

THESE DRAWINGS AND THE METAL COMPONENTS THEY REPRESENT ARE THE PRODUCT OF NCI GROUP OR ANOTHER DIVISION OR AFFILIATE OF NCI GROUP, INC. - 7381 FAIRVIEW DR. HOUSTON TX 77041. THE ENGINEER WHOSE SEAL APPEARS HEREIN IS EMPLOYED BY NCI GROUP OR ANOTHER DIVISION OR AFFILIATE OF NCI GROUP, INC. AND IS NOT THE ENGINEER OF RECORD FOR THIS PROJECT. THESE DRAWINGS MUST BE REVIEWED FOR PROJECT COMPLIANCE BY THE ENGINEER OF RECORD.

PRODUCT REVISED
 as complying with the Florida
 Building Code
 Acceptance No **17-0626-04**
 Expiration Date **12/10/2022**
 By 
 Miami Dade Product Control





SUPERLOK CROSS SECTION

CONFIDENTIAL FOR OFFICIAL USE ONLY

PANEL PROPERTIES

PANEL GAUGE	PANEL THICKNESS	YIELD STRENGTH	TENSILE STRENGTH	ELONGATION	HARDNESS	STEEL COATING	PAINT COATINGS
24	.024 MIN.	50 KSI	55-70 KSI	20-36%	50-65 HRB	AZ 55	SIG 300 KYNAR
22	.029 MIN.	50 KSI	55-70 KSI	20-36%	50-65 HRB	AZ 55	SIG 300 KYNAR

PANEL ACCESSORIES

CONSTRUCTION FASTENERS INC.
 SPRING STREET AND VAN REED ROAD
 P.O. BOX 6326, WYOMISSING PA 19610

- #14 X 7/8' LAP TEK W/BOND SEAL WASHER
- 1/4-14 X 1 1/4 SDS W/ WASHER
- #12-14 X 1 SDS
- 1/4-14 X 1 1/4 SDS #2 PT. W/O WASHER
- #10-16 PANCAKE HEAD SDS
- 1/4-14 X 1 ZAC STS W/ WASHER
- #12-14 X 1 SHOULDER TEK SDS

GULF-SEAL SPECIALTIES, INC.
 P.O. BOX 508
 SOUTH HOUSTON, TX 77587

- TRI-BEAD
TAPE SEALER MB-10A (POLYISOBUTYLENE-ISOPRENE)
- TRIPLE BEAD
TAPE SEALER MB-10A (POLYISOBUTYLENE-ISOPRENE)
- SNEEZED END LAP TAPE SEAL
TAPE SEALER MB-10A (POLYISOBUTYLENE-ISOPRENE)

SCHNEE-MOREHEAD, INC.
 111 NORTH NURSERY ROAD
 IRVING, TX 75060

- PERMATHANE URETHANE CAULK

NOTES:

- THE 24 GAGE SUPERLOK STANDING SEAM ROOF PANELS SHALL BE USED FOR ROOF CONSTRUCTION ONLY. THE ACTUAL ROOF PROJECT SHALL BE CONSTRUCTED USING THE SAME DETAILS SHOWN ON THESE DRAWINGS INCLUDING:
 - DETAILS OF ALL PANEL MATERIAL CHARACTERISTICS AND SECTIONS WITH DIMENSIONS AND THICKNESS.
 - ASSEMBLY DETAILS INCLUDING ALL CONNECTION'S FASTENERS DIAGRAM WITH SIZE AND LOCATION.
 - PANEL MAXIMUM SPAN AND PRESSURE FOR THE FIELD, PERIMETERS AND CORNERS SHOWN.
- THE MAXIMUM ALLOWABLE SPANS AND PRESSURES FOR THE 24 GAGE STEEL ROOF PANEL ARE AS FOLLOWS:

	MAXIMUM PANEL SPAN	MAXIMUM PRESSURE(psf)
FIELD ZONE	5'-0"	48.36
	2'-6"	66.00
EDGE ZONE	1'-0"	83.84
- ALL PANELS SUBMEMBERS SHALL BE STEEL WITH 16 GA. MINIMUM THICKNESS.
- THIS STRUCTURAL ROOF PANEL SYSTEM HAS BEEN DESIGNED IN ACCORDANCE WITH FLORIDA BUILDING CODE (FBC) FOR USE WITH 5TH EDITION (2014) FBC AS APPLICABLE THE DESIGN PRESSURES AS DETERMINED FROM SECTION 1620 AND ASCE 7-10 MUST BE MULTIPLIED BY 0.60.

By	Cr'd
Description	Date
Revision	Date

NCI GROUP, INC.
 CORPORATE OFFICES: 1700 FAIRVIEW DR. HOUSTON, TX 77041 (800) 777-9078
 WAILING, P.O. BOX 4020 HOUSTON, TX 77040-0200
 Project Name and Location:
 BADE COUNTY PRODUCT APPROVAL
 BADE COUNTY, FLORIDA
 SHEET TITLE:
 SUPERLOK PANEL DETAIL

Scale: NOT TO SCALE
 Drawn by: EH
 Checked by: JA
 Job Number:
 Sheet Number: 7 OF 7

THESE DRAWINGS AND THE METAL COMPONENTS THEY REPRESENT ARE THE PRODUCT OF NCI GROUP OR ANOTHER DIVISION OR AFFILIATE OF NCI GROUP, INC. - 7301 FAIRVIEW DR. HOUSTON TX 77041. THE ENGINEER WHOSE SEAL APPEARS HEREIN IS EMPLOYED BY NCI GROUP OR ANOTHER DIVISION OR AFFILIATE OF NCI GROUP, INC. AND IS NOT THE ENGINEER OF RECORD FOR THIS PROJECT. THESE DRAWINGS MUST BE REVIEWED FOR PROJECT COMPLIANCE BY THE ENGINEER OF RECORD.

PRODUCT REVISED
 as complying with the Florida Building Code
 Acceptance No 17-0626-04
 Expiration Date 12/10/2022
 By Miami Data Product Control

