



DEPARTMENT OF REGULATORY AND ECONOMIC RESOURCES (RER)  
BOARD AND CODE ADMINISTRATION DIVISION

MIAMI-DADE COUNTY  
PRODUCT CONTROL SECTION  
11805 SW 26 Street, Room 208  
Miami, Florida 33175-2474  
T (786) 315-2590 F (786) 315-2599

[www.miamidade.gov/economy](http://www.miamidade.gov/economy)

## NOTICE OF ACCEPTANCE (NOA)

MBCI, A Division of NCI Group, Inc.  
14031 West Hardy  
Houston, TX 77060

### SCOPE:

This NOA is being issued under the applicable rules and regulations governing the use of construction materials. The documentation submitted has been reviewed and accepted by Miami-Dade County RER- Product Control Section to be used in Miami Dade County and other areas where allowed by the Authority Having Jurisdiction (AHJ).

This NOA shall not be valid after the expiration date stated below. The Miami-Dade County Product Control Section (In Miami Dade County) and/or the AHJ (in areas other than Miami Dade County) reserve the right to have this product or material tested for quality assurance purposes. If this product or material fails to perform in the accepted manner, the manufacturer will incur the expense of such testing and the AHJ may immediately revoke, modify, or suspend the use of such product or material within their jurisdiction. RER reserves the right to revoke this acceptance, if it is determined by Miami-Dade County Product Control Section that this product or material fails to meet the requirements of the applicable building code.

This product is approved as described herein, and has been designed to comply with the High Velocity Hurricane Zone of the Florida Building Code.

### DESCRIPTION: Eco-Ficient Insulated Wall Panels

**APPROVAL DOCUMENT:** Drawing No. C2029, titled "Eco-Ficient Insulated Wall Panels", sheets 1 through 2 of 2, prepared by Bala Sockalingam, P.E., dated May 13, 2015, signed and sealed by Bala Sockalingam, P.E., on May 15, 2015, bearing the Miami-Dade County Product Control Revision stamp with the Notice of Acceptance number and the expiration date by the Miami-Dade County Product Control Section.

### MISSILE IMPACT RATING: Large and Small Missile Impact Resistant

**LABELING:** Each panel shall bear a permanent label with the manufacturer's name or logo, Lewisville, TX; Prince George, VA; North Las Vegas, NA; Shelbyville, IN; Mattoon, ILL; or Jackson, MS and the following statement: "Miami-Dade County Product Control Approved", unless otherwise noted herein.

**RENEWAL** of this NOA shall be considered after a renewal application has been filed and there has been no change in the applicable building code negatively affecting the performance of this product.

**TERMINATION** of this NOA will occur after the expiration date or if there has been a revision or change in the materials, use, and/or manufacture of the product or process. Misuse of this NOA as an endorsement of any product, for sales, advertising or any other purposes shall automatically terminate this NOA. Failure to comply with any section of this NOA shall be cause for termination and removal of NOA.

**ADVERTISEMENT:** The NOA number preceded by the words Miami-Dade County, Florida, and followed by the expiration date may be displayed in advertising literature. If any portion of the NOA is displayed, then it shall be done in its entirety.

**INSPECTION:** A copy of this entire NOA shall be provided to the user by the manufacturer or its distributors and shall be available for inspection at the job site at the request of the Building Official.

This NOA revises NOA # 14-0306.03 and consists of this page 1, evidence submitted page E-1 as well as approval document mentioned above.

The submitted documentation was reviewed by Helmy A. Makar, P.E., M.S.



*Helmy A. Makar*  
02/25/2016

NOA No. 15-0602.11  
Expiration Date: 03/06/2018  
Approval Date: 02/25/2016  
Page 1

**NOTICE OF ACCEPTANCE: EVIDENCE SUBMITTED**

**1. EVIDENCE SUBMITTED UNDER PREVIOUS APPROVAL #14-0306.03**

**A. DRAWINGS**

1. *Drawing No. C1902, titled "Eco-Ficient Insulated Wall Panels", sheets 1 through 2 of 2, prepared by Bala Sockalingam, P.E., dated September 12, 2013, last revision A, dated May 15, 2014, signed & sealed by Bala Sockalingam, P.E.*

**B. TESTS**

1. *See NOA # 13-1105.11*

**C. CALCULATIONS**

1. *See NOA # 13-1105.11*

**D. QUALITY ASSURANCE**

1. *By Miami-Dade County Department of Regulatory and Economic Resources.*

**E. MATERIAL CERTIFICATIONS**

1. *See NOA # 13-1105.11*

**2. NEW EVIDENCE SUBMITTED**

**A. DRAWINGS**

1. *Drawing No. C2029, titled "Eco-Ficient Insulated Wall Panels", sheets 1 through 2 of 2, prepared by Bala Sockalingam, P.E., dated May 13, 2015, signed & sealed by Bala Sockalingam, P.E., on May 13, 2015.*

**B. TESTS**

2. *See NOA # 15-0224.02*

**C. CALCULATIONS**

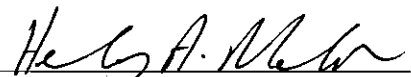
1. *See NOA # 15-0224.02*

**D. QUALITY ASSURANCE**

1. *By Miami-Dade County Department of Regulatory and Economic Resources.*

**E. MATERIAL CERTIFICATIONS**

1. *See NOA # 1. 15-0224.02*

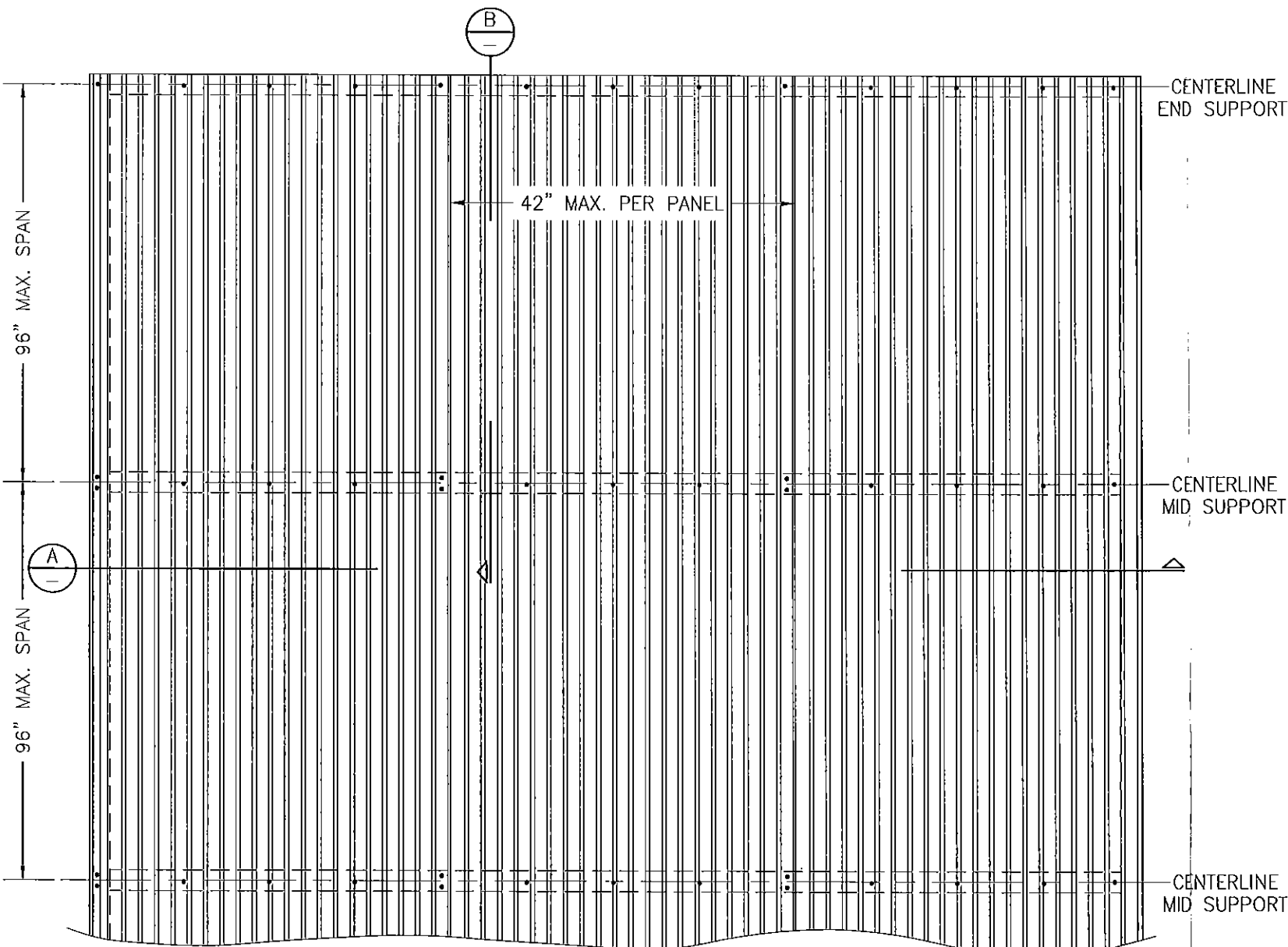
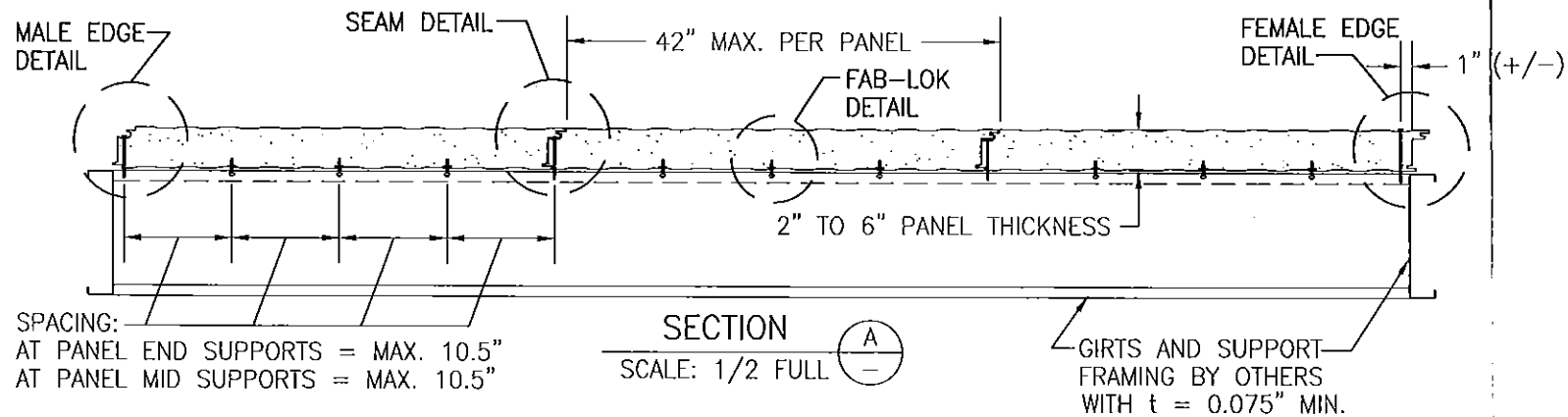


Henry A. Makar, P.E., M.S.  
Product Control Section Supervisor

NOA No. 15-0602.11

Expiration Date: 03/06/2018

Approval Date: 02/25/2016

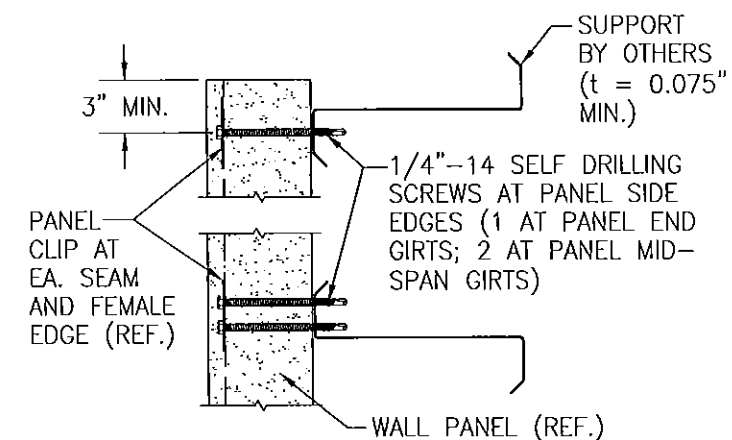


TYPICAL EXTERIOR WALL ELEVATION

PRODUCT APPROVAL IS LIMITED TO THE WALL PANEL & ITS CONNECTING CLIPS. THE STRUCTURAL ADEQUACY OF ALL OTHER STRUCTURAL ITEMS (BEAMS, COLUMNS, PURLINS, FACIA SUPPORTS, CONNECTIONS OF STRUCTURE, ETC.) SHALL BE VERIFIED BY THE STRUCTURAL PLANS EXAMINER OF THE CORRESPONDING BUILDING DEPARTMENT. THE WALL PANELS SHALL NOT BE DESIGNED TO ACT AS A DIAPHRAGM.

**GENERAL NOTES:**

1. THIS STRUCTURAL WALL PANEL SYSTEM HAS BEEN DESIGNED IN ACCORDANCE WITH 5TH EDITION (2014) FLORIDA BUILDING CODE. THE DESIGN PRESSURES AS DETERMINED FROM SECTION 1620 AND ASCE 7-10 MUST BE MULTIPLIED BY 0.6.
2. ALL WALL PANELS ARE MAX 42" WIDE, CONSIST OF EXTERIOR 26 GA. (t = 0.019" MIN.) AND INTERIOR 26 GA. (t = 0.019" MIN) G-90 CLAD STEEL SKINS (Fy = MIN. 44.5 KSI TESTED) COATED WITH AN EMBOSSED & PAINTED OR TUFF (STUCCO-LIKE) FINISH & ARE FOAM FILLED WITH FOAMED-IN-PLACE NON-CFC 2.0 LB/CU. FT. DENSITY POLYURETHANE.
3. THE WALL PANELS SHALL BE INSTALLED OVER WALL STRUCTURE AS SPECIFIED ON THESE DRAWINGS.
4. THE WALL PANELS MUST BE INSTALLED OVER MIN. 2 SUPPORTS. HORIZONTAL SEAMS MAY BE PRESENT AT CENTERLINE OF SUPPORTING GIRTS PROVIDING THE SEAMS ARE FLASHED & PROPERLY SEALED PER MBCI SPECIFICATIONS AND EACH PANEL END IS SECURED PER THESE DRAWINGS.
5. REQUIRED DESIGN WIND LOADS SHALL BE DETERMINED FOR EACH PROJECT. THIS PANEL SYSTEM MAY NOT BE INSTALLED WHEN THE REQUIRED DESIGN WIND LOADS ARE GREATER THAN THE ALLOWABLE WIND LOADS SPECIFIED ON THIS DRAWING.
7. THIS WALL PANEL SYSTEM HAS BEEN TESTED AS AN IMPACT SYSTEM IN ACCORDANCE WITH PROTOCOLS TAS-201, 202 & 203.
8. WALL PANEL MANUFACTURER'S PERMANENT LABEL SHALL BE PLACED AT THE END OF EACH PANEL RUN AND SHALL READ: MBCI HOUSTON, TEXAS DADE COUNTY PRODUCT CONTROL APPROVED
9. ALL SCREWS SHALL BE CORROSION RESISTANT SELF DRILLING SCREWS.
10. THE SUPPORTING STRUCTURE, OVER WHICH THE PANELS ARE TO BE INSTALLED, MUST BE MINIMUM 14 GAGE (MIN. 0.075") STEEL WITH MIN. Fy = 50 KSI.
11. THESE WALL PANELS SHALL NOT BE CONSIDERED TO OR BE USED FOR TRANSFER OF DIAPHRAM ACTION OF WALL TO SUPPORTING STRUCTURE.

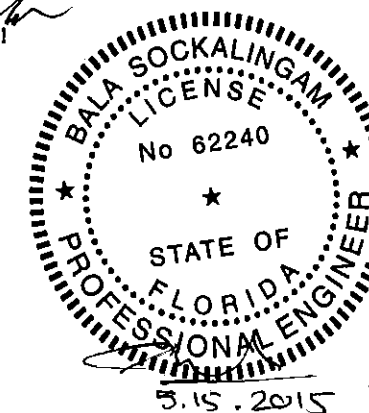


SECTION B  
SCALE: 1/2 FULL

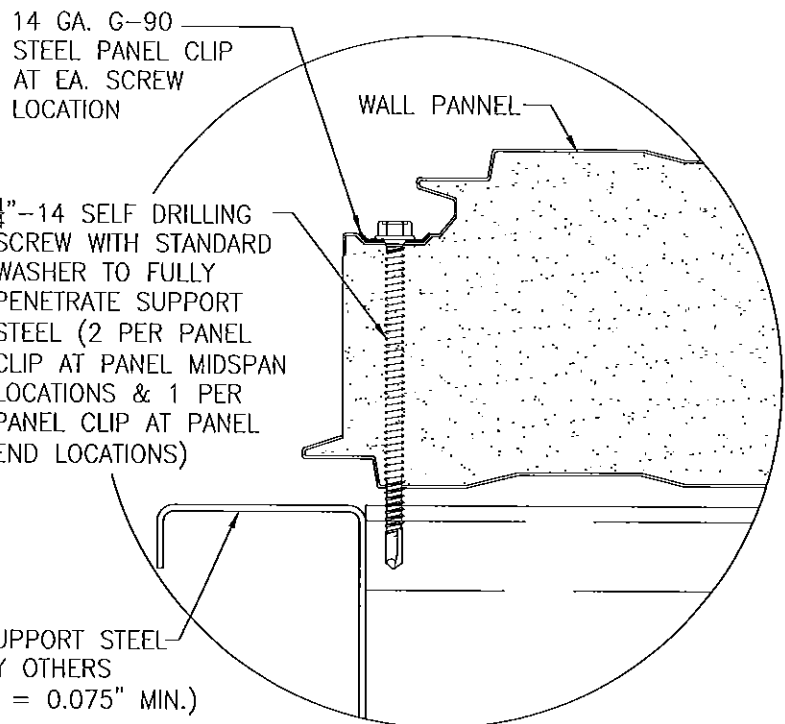
**ALLOWABLE PRESSURE**  
POSITIVE OR NEGATIVE (PSF)

SPAN (IN.)	SINGLE SPAN	THREE OR MORE SPANS
48	86.0	86.0
54	76.4	76.4
60	68.8	68.8
66	62.5	62.5
72	57.3	57.3
78	52.9	52.9
84	49.1	49.1
90	44.9	45.9
96	37.0	43.0

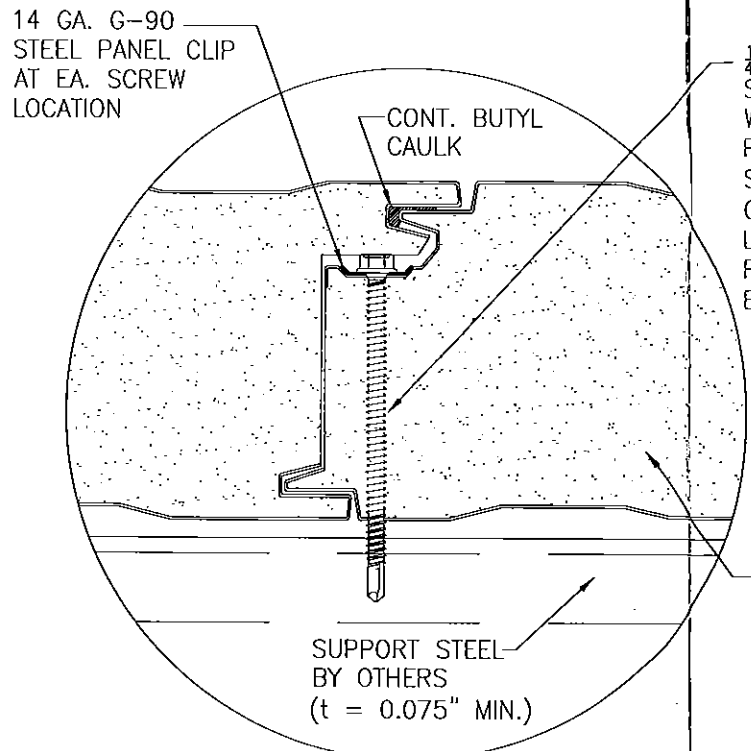
PRODUCT REVISED as complying with the Florida Building Code  
Acceptance No 15-0602.11  
Expiration Date 03/06/2018  
By Healy A. M. Jr  
Miami Dade Product Control



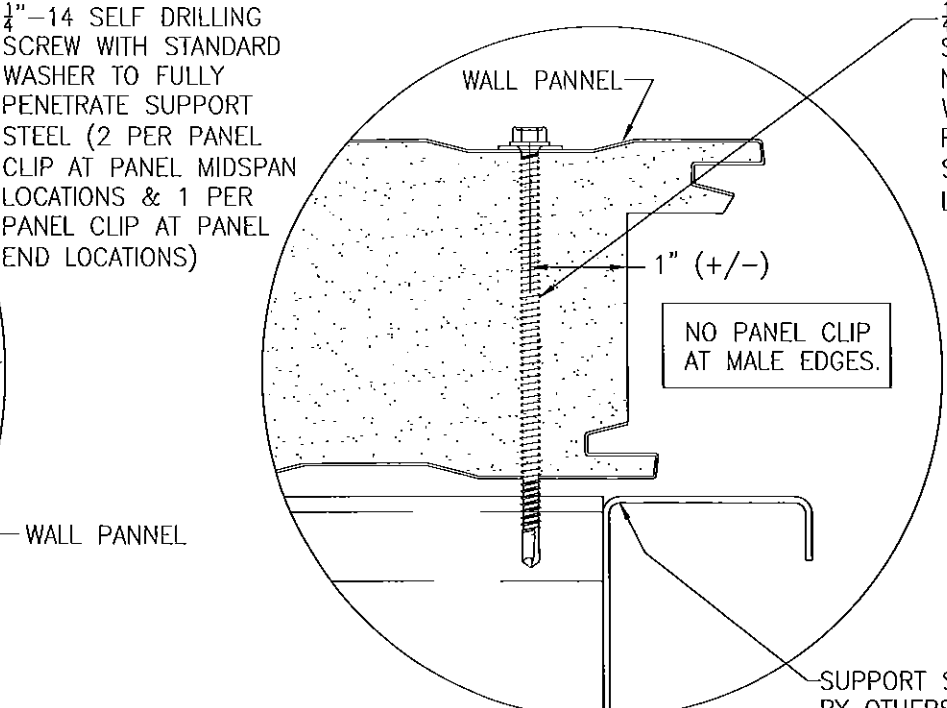
DRAWN BY: B.S.	CHECKED BY: R.H.
PLOT: 1=8	DATE: 5/13/15
DATE	BY
REVISION DESCRIPTION	NO.
DRAWING TITLE MBCI ECO-EFFICIENT INSULATED WALL PANELS	
CONSULTANTS BALA SOCKALINGAM, PH.D., P.E.	
MANUFACTURER MBCI 14031 WEST HARDY HOUSTON, TEXAS 77060 281-445-8555	
1216 N LANSING AVE, SUITE C TULSA, OK 74106 PHONE: 918-492-5992 FAX: 866-366-1543	
DRAWING NO. C2029	REV.
SHEET NO. 1	OF 2



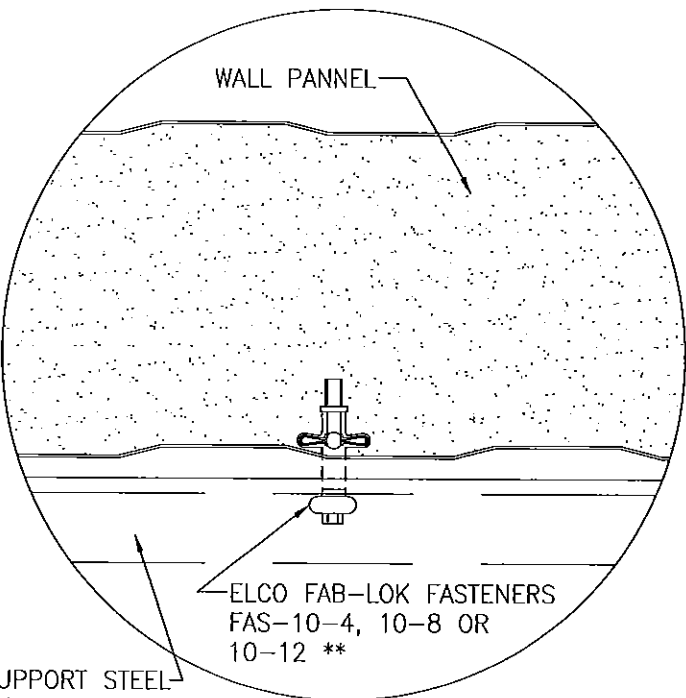
**MALE EDGE DETAIL**



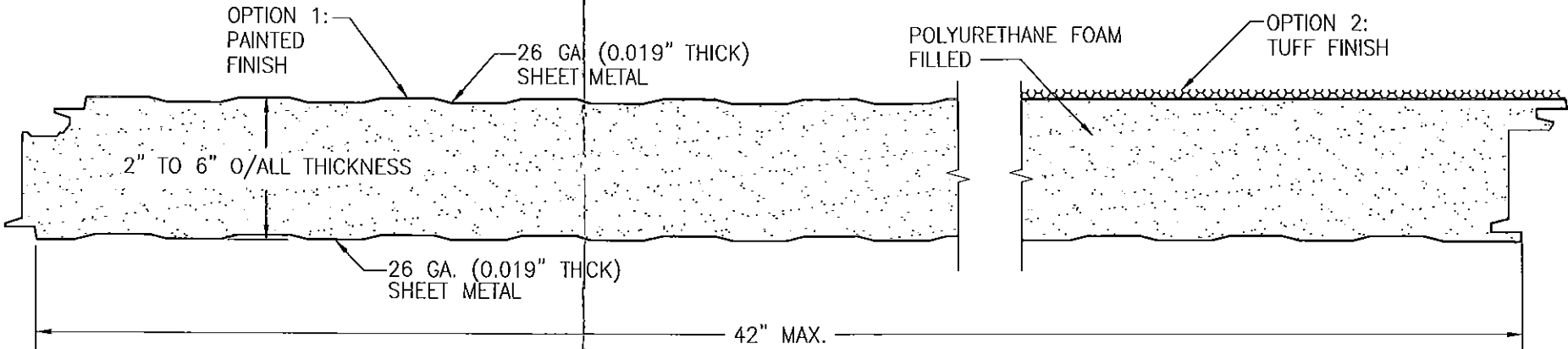
**SEAM DETAIL**



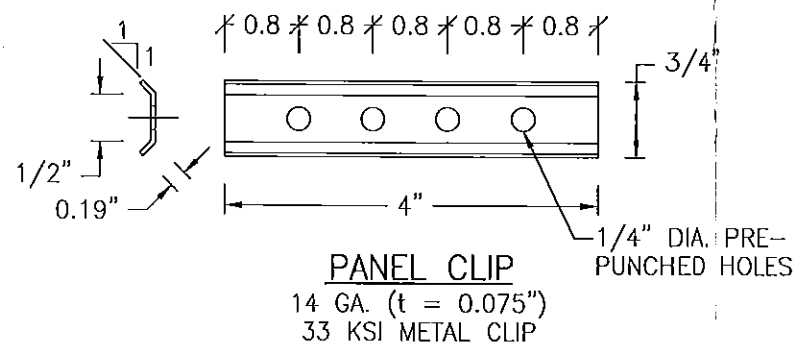
**FEMALE EDGE DETAIL**



**FAB-LOK DETAIL**

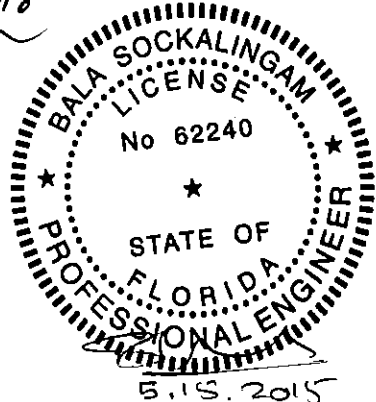


**PANEL**



**PANEL CLIP**  
14 GA. (t = 0.075")  
33 KSI METAL CLIP

**PRODUCT REVISED**  
as complying with the Florida  
Building Code  
Acceptance No 15-0602.11  
Expiration Date 03/06/2018  
By *[Signature]*  
Miami Dad Product Control



\*\* IN LIEU OF FAB-LOK, SFS INTEC BULB-TITE RIVETS (1194719 OR 1194721) MAY BE USED.

DRAWN BY: B.S.	CHECKED BY: R.H.
PLOT: 1=1	DATE: 5/13/15
NO.	REVISION DESCRIPTION
DATE	BY
DRAWING TITLE MBCI ECO-EFFICIENT INSULATED WALL PANELS	
CONSULTANTS BALA SOCKALINGAM, PH.D., P.E.	MANUFACTURER MBCI 14031 WEST HARDY HOUSTON, TEXAS 77060 281-445-8555
PHONE: 918-492-5992 FAX: 866-366-1543	
DRAWING NO. C2029	REV.
SHEET NO. 2	OF 2