



DEPARTMENT OF REGULATORY AND ECONOMIC RESOURCES (RER)  
BOARD AND CODE ADMINISTRATION DIVISION

MIAMI-DADE COUNTY  
PRODUCT CONTROL SECTION  
11805 SW 26 Street, Room 208  
Miami, Florida 33175-2474  
T (786) 315-2590 F (786) 315-2599

**NOTICE OF ACCEPTANCE (NOA)**

[www.miamidade.gov/economy](http://www.miamidade.gov/economy)

NCI Group, Inc.  
14031 West Hardy  
Houston, TX 77060

**SCOPE:**

This NOA is being issued under the applicable rules and regulations governing the use of construction materials. The documentation submitted has been reviewed and accepted by Miami-Dade County RER- Product Control Section to be used in Miami Dade County and other areas where allowed by the Authority Having Jurisdiction (AHJ).

This NOA shall not be valid after the expiration date stated below. The Miami-Dade County Product Control Section (In Miami Dade County) and/or the AHJ (in areas other than Miami Dade County) reserve the right to have this product or material tested for quality assurance purposes. If this product or material fails to perform in the accepted manner, the manufacturer will incur the expense of such testing and the AHJ may immediately revoke, modify, or suspend the use of such product or material within their jurisdiction. RER reserves the right to revoke this acceptance, if it is determined by Miami-Dade County Product Control Section that this product or material fails to meet the requirements of the applicable building code.

This product is approved as described herein, and has been designed to comply with the High Velocity Hurricane Zone of the Florida Building Code.

**DESCRIPTION: (Superlok-16) 0.029" (min.) Standing Seam Metal Roof Panel**

**APPROVAL DOCUMENT:** No Drawing number, titled " Superlok Panel Detail ", sheets 1 through 7 of 7, prepared by NCI Group, Inc., dated April 14, 2015, signed and sealed by Mark Detwiler, P.E. on April 14, 2015 bearing the Miami-Dade County Product Control Revision stamp with the Notice of Acceptance number and the expiration date by the Miami-Dade County Product Control Section.

**MISSILE IMPACT RATING: Large and Small Missile Impact Resistant**

**LABELING:** Each panel shall bear a permanent label with the manufacturer's name or logo, city, state and the following statement: "Miami-Dade County Product Control Approved", unless otherwise noted herein.

**RENEWAL** of this NOA shall be considered after a renewal application has been filed and there has been no change in the applicable building code negatively affecting the performance of this product.

**TERMINATION** of this NOA will occur after the expiration date or if there has been a revision or change in the materials, use, and/or manufacture of the product or process. Misuse of this NOA as an endorsement of any product, for sales, advertising or any other purposes shall automatically terminate this NOA. Failure to comply with any section of this NOA shall be cause for termination and removal of NOA.

**ADVERTISEMENT:** The NOA number preceded by the words Miami-Dade County, Florida, and followed by the expiration date may be displayed in advertising literature. If any portion of the NOA is displayed, then it shall be done in its entirety.

**INSPECTION:** A copy of this entire NOA shall be provided to the user by the manufacturer or its distributors and shall be available for inspection at the job site at the request of the Building Official.

This NOA revises NOA # 12-0911.02 and consists of this page 1, evidence submitted pages E-1, E-2, E-3, & E-4 as well as approval document mentioned above.

The submitted documentation was reviewed by Helmy A. Makar, P.E., M.S.



*Helmy A. Makar*  
10/29/2015

NOA No. 15-0505.27  
Expiration Date: 07/06/2018  
Approval Date: 10/29/2015

**NOTICE OF ACCEPTANCE: EVIDENCE SUBMITTED**

**1. EVIDENCE SUBMITTED UNDER PREVIOUS APPROVAL # 00-0501.08**

**A. DRAWINGS**

1. *Drawing No. SL 22, titled "Superlok Details", prepared by Terrence E. Wolfe, P.E., dated March 25, 1998, sheets 1, 2, 3, 4, 5, 6, and 7 of 7, signed and sealed by Terrence E. Wolfe, P.E. on May 30, 2000.*

**B. TESTS**

1. *Test report on Uniform Static Air Pressure, ASTM 1592-95, on 22 ga. Superlok Roof Panel, prepared by Farabaugh Engineering and Testing, Inc., Report No. FET97005-T166-97, dated 04/20/2000, signed and sealed by Daniel G. Farabaugh, P.E.*
2. *Susceptibility to leakage test in accordance with Miami-Dade county Protocol PA 114 Appendix G on 24 ga. Superlok Roof Panel, prepared by Celotex, Report No. 258444 CAE 97192, dated May 1 thru 8, 1998, signed and sealed by R. G. Miller, P.E. (This is a copy from Product Control Approval No. 98-0529.06).*
3. *Wind Driven Rain Test in accordance with Miami-Dade county Protocol PA 100-95 on 24 ga. Superlok Roof Panel, prepared by Celotex, Report No. 258444A CAE 97193, dated March 10, 1998, signed and sealed by R. G. Miller, P.E. (This is a copy from Product Control Approval No. 98-0529.06).*

**C. CALCULATIONS**

1. *Calculations titled "Superlok - 22 ga", pages 1 and 2, prepared by Terrence E. Wolfe, P.E., signed and sealed by Terrence E. Wolfe P.E. on 04/26/2000.*

**D. MATERIAL CERTIFICATIONS**

1. *Mill Certified Test Report issued by Bethlehem Steel Corporation, dated 06/22/98, with chemical composition and mechanical properties of galvalume painted structural steel coils ASTM A792 Grade 50A.*
2. *Tensile Test File No. WP-9048 Report No. 055, prepared by West Penn Testing Laboratories, Inc., dated 12/12/97, signed Todd A. Ault (M.E.T.).*

**2. EVIDENCE SUBMITTED UNDER PREVIOUS APPROVAL #03-0128.07**

**A. DRAWINGS**

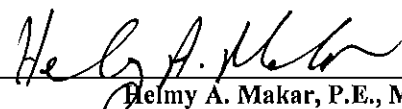
1. *None.*

**B. TESTS**

1. *None.*

**C. CALCULATIONS**

1. *None.*



Helmy A. Makar, P.E., M.S.  
Product Control Section Supervisor

NOA No. 15-0505.27

Expiration Date: 07/06/2018

Approval Date: 10/29/2015

**NCI Group, Inc.**

**NOTICE OF ACCEPTANCE: EVIDENCE SUBMITTED**

**D. MATERIAL CERTIFICATIONS**

1. *None.*

**E. STATEMENTS**

1. *Letter by MBCI, signed by Mr. Brian N. Jaks, P.E., requesting to renew his Approval No. 00-0501.08 and stating that the "Superlok-16" 22 ga. Roof panel has not changed in any form since the last Notice of Acceptance.*

**3. EVIDENCE SUBMITTED UNDER PREVIOUS APPROVAL #08-0505.04**

**A. DRAWINGS**

1. *None.*

**B. TESTS**

1. *Test report on Uniform Static Air Pressure, ASTM 1592-95, on 22 ga. Superlok Roof Panel, prepared by Farabaugh Engineering and Testing, Inc., Report No. FET149-08, dated 03/31/2008, signed and sealed by Daniel G. Farabaugh, P.E.*
2. *Susceptibility to leakage test in accordance with Miami-Dade county Protocol FM 4471 Appendix G on 24 ga. Superlok Roof Panel, prepared by Celotex, Report No. T293-07, dated 09/26/2007, signed and sealed by Daniel G. Farabaugh, P.E.*
3. *Wind Driven Rain Test in accordance with Miami-Dade county Protocol PA 100-95 on 24 ga. Superlok Roof Panel, prepared by Celotex, Report No. T292-07, dated 09/26/2007, signed and sealed by Daniel G. Farabaugh, P.E.*

**C. CALCULATIONS**

1. *None.*

**D. QUALITY ASSURANCE**

1. *By Miami-Dade County Building Code Compliance Office.*

**E. MATERIAL CERTIFICATIONS**

1. *Tensile Test File No. WP-9048 Report No. 055, prepared by West Penn Testing Laboratories, Inc., dated 03/24/2008, signed Todd A. Ault.*



Helmy A. Makar, P.E., M.S.  
Product Control Section Supervisor

NOA No. 15-0505.27

Expiration Date: 07/06/2018

Approval Date: 10/29/2015

**NCI Group, Inc.**

**NOTICE OF ACCEPTANCE: EVIDENCE SUBMITTED**

**4. EVIDENCE SUBMITTED UNDER PREVIOUS APPROVAL # 11-0810.09**

**A. DRAWINGS**

1. *No Drawing number, titled " Superlok Panel Detail ", sheets 1 through 7 of 7, prepared by NCI Group, Inc., dated July 27, 2011, signed and sealed by Mark Detwiler, P.E. on July 27, 2011.*

**B. TESTS**

1. *None.*

**C. CALCULATIONS**

1. *None.*

**D. QUALITY ASSURANCE**

1. *By Miami-Dade County Department of Permitting, Environment, and Regulatory Affairs (PERA).*

**E. MATERIAL CERTIFICATIONS**

1. *None.*

**5. EVIDENCE SUBMITTED UNDER PREVIOUS APPROVAL # 12-0911.02**

**A. DRAWINGS**

1. *No Drawing number, titled " Superlok Panel Detail ", sheets 1 through 7 of 7, prepared by NCI Group, Inc., dated August 28, 2012, signed and sealed by Mark Detwiler, P.E. on August 28, 2012.*

**B. TESTS**

1. *None.*

**C. CALCULATIONS**

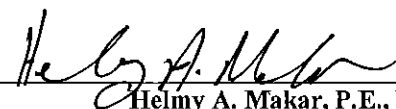
1. *None.*

**D. QUALITY ASSURANCE**

1. *By Miami-Dade County Department of Regulatory and Economic Resources.*

**E. MATERIAL CERTIFICATIONS**

1. *None.*



Helmy A. Makar, P.E., M.S.  
Product Control Section Supervisor

NOA No. 15-0505.27

Expiration Date: 07/06/2018

Approval Date: 10/29/2015

**NCI Group, Inc.**

**NOTICE OF ACCEPTANCE: EVIDENCE SUBMITTED**

**6. NEW EVIDENCE SUBMITTED**

**A. DRAWINGS**

1. *No Drawing number, titled " Superlok Panel Detail ", sheets 1 through 7 of 7, prepared by NCI Group, Inc., dated April 14, 2015, signed and sealed by Mark Detwiler, P.E. on April 14, 2015.*

**B. TESTS**

1. *None.*

**C. CALCULATIONS**

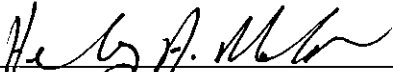
1. *None.*

**D. QUALITY ASSURANCE**

1. *By Miami-Dade County Department of Regulatory and Economic Resources.*

**E. MATERIAL CERTIFICATIONS**

1. *None.*

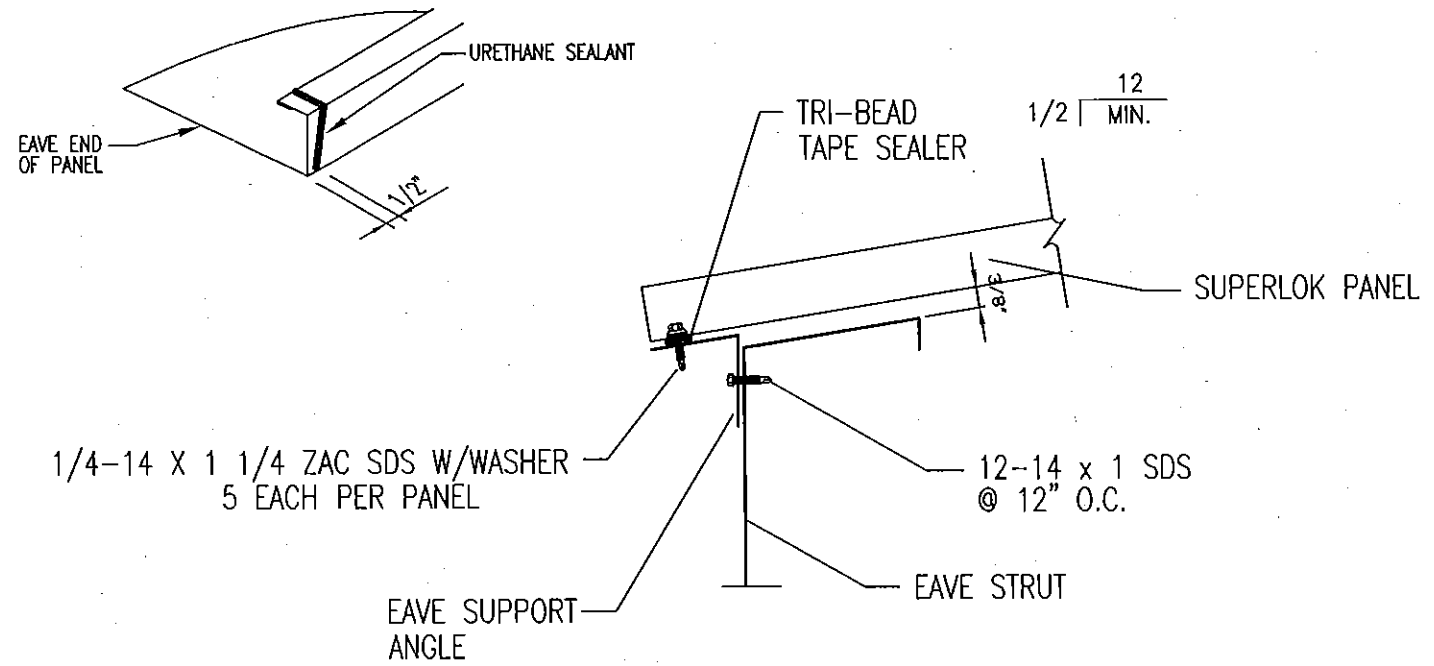


---

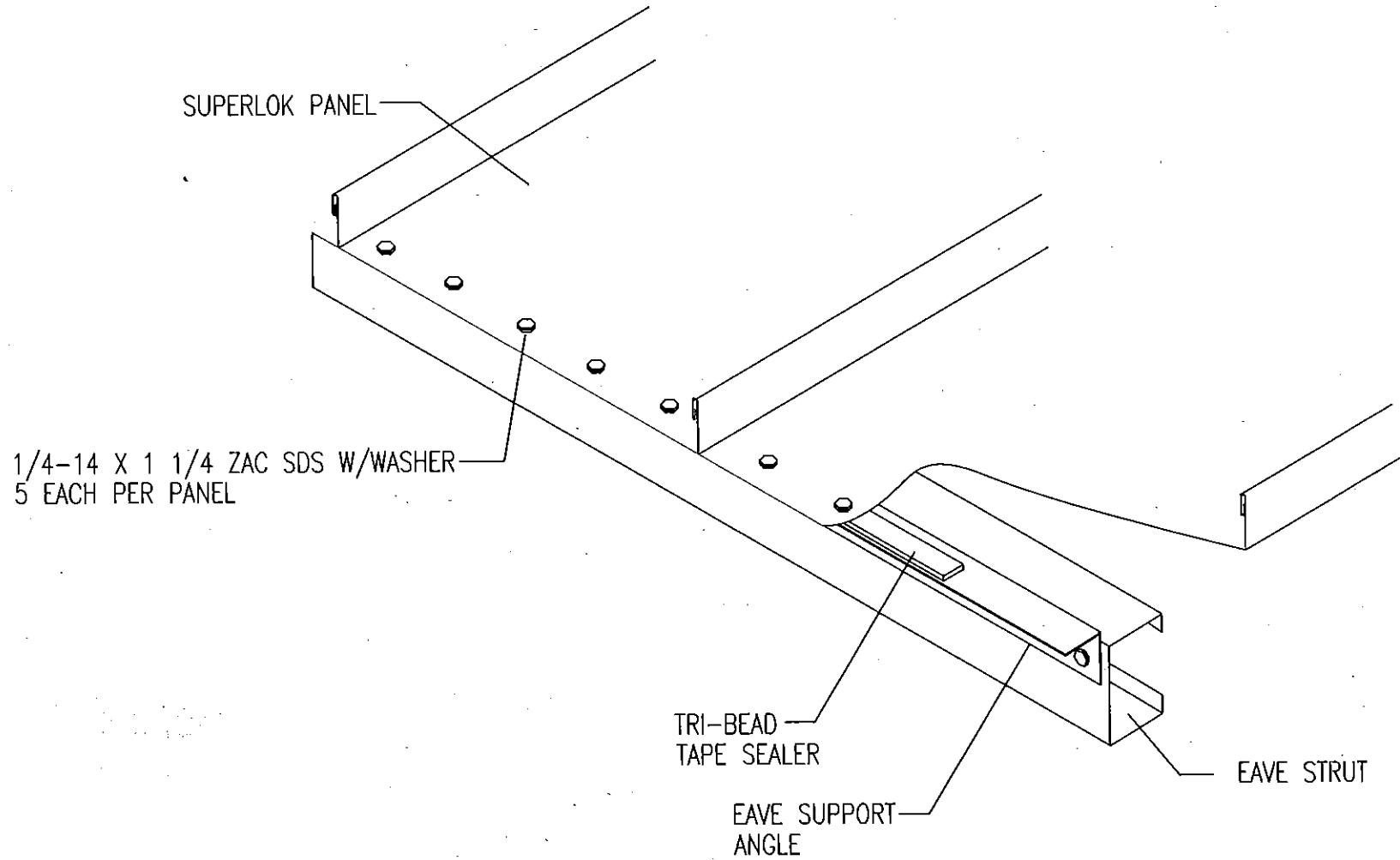
Kelmy A. Makar, P.E., M.S.  
Product Control Section Supervisor  
NOA No. 15-0505.27  
Expiration Date: 07/06/2018  
Approval Date: 10/29/2015

# TYPICAL DETAILS

## EAVE



CROSS SECTION OF EAVE



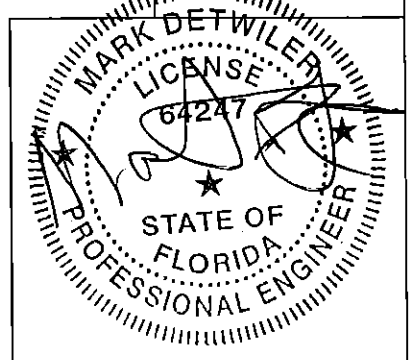
ISOMETRIC VIEW OF EAVE

Rev	Description	Date

<b>ncg GROUP, INC.</b> CORPORATE OFFICES 7301 FAIRVIEW DR. HOUSTON TX 77041 (800) 777-9079 HOUSTON TX 77041 (800) 777-9079 WALKING HILL IND. BLDG 4020 HOUSTON TX 77041-4020	Project Name and Location: DADE COUNTY PRODUCT APPROVAL DADE COUNTY, FLORIDA

Scale: NOT TO SCALE  
 Drawn by: EH  
 Checked by: JA  
 Job Number:  
 Sheet Number: 1 OF 7

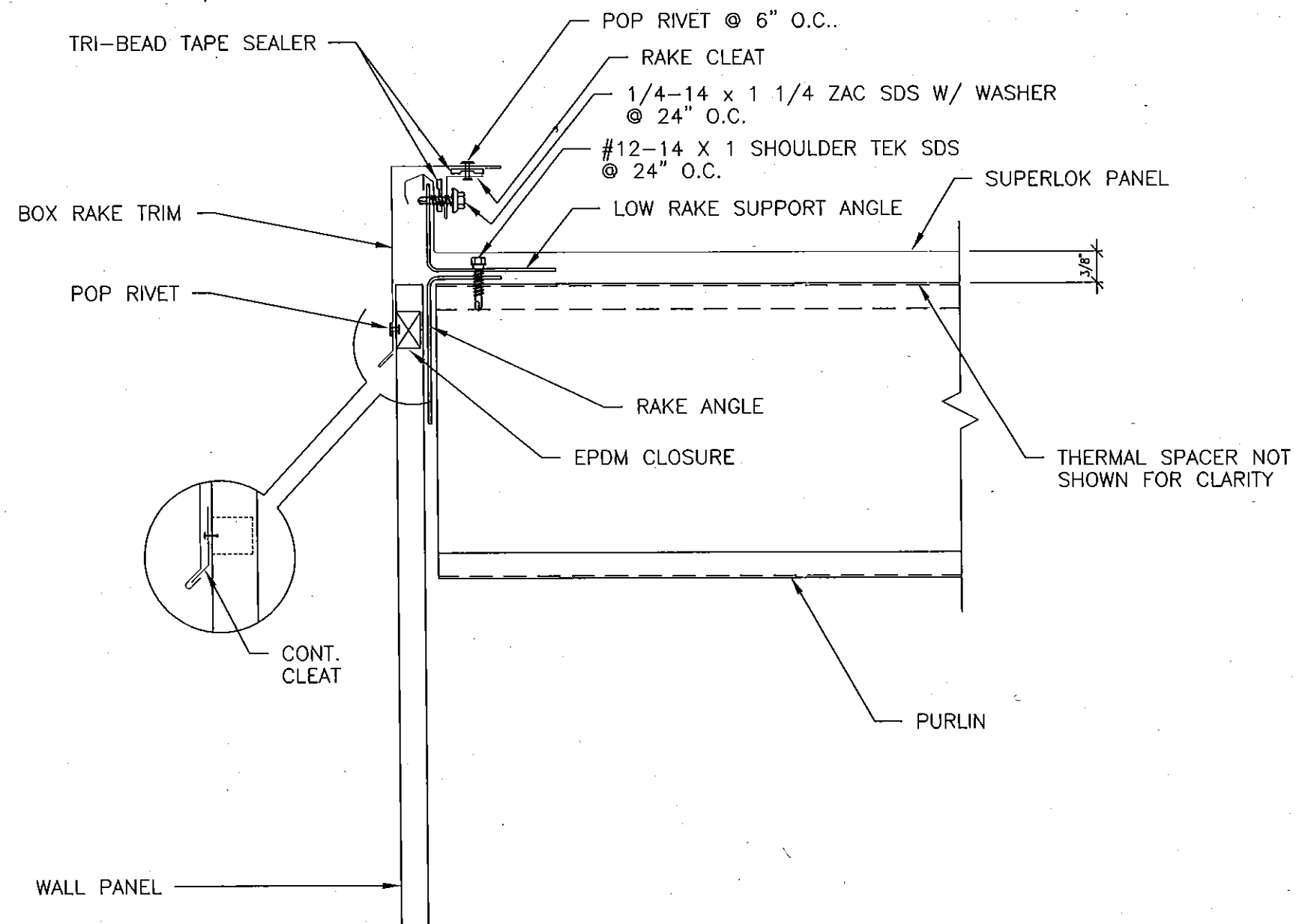
THESE DRAWINGS AND THE METAL COMPONENTS THEY REPRESENT ARE THE PRODUCT OF NCI GROUP OR ANOTHER DIVISION OR AFFILIATE OF NCI GROUP, INC. - 7301 FAIRVIEW DR. HOUSTON TX 77041 THE ENGINEER WHOSE SEAL APPEARS HEREON IS EMPLOYED BY NCI GROUP OR ANOTHER DIVISION OR AFFILIATE OF NCI GROUP, INC. AND IS NOT THE ENGINEER OF RECORD FOR THIS PROJECT. THESE DRAWINGS MUST BE REVIEWED FOR PROJECT COMPLIANCE BY THE ENGINEER OF RECORD.



APR 14 2015

# TYPICAL DETAILS

## RAKE



CROSS SECTION OF RAKE

Revision	Date	Description

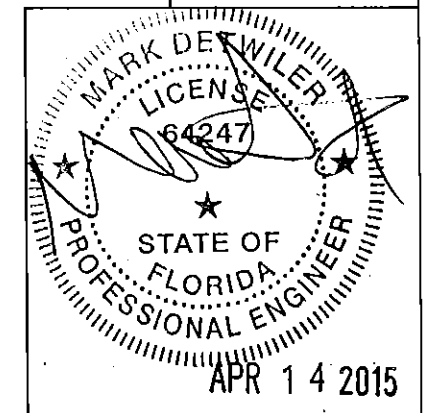
**ncg GROUP, INC.**  
 CORPORATE OFFICES: 7301 FAIRVIEW DR. HOUSTON TX 77041 (800) 777-5078  
 WALKING HALLING, P.O. BOX 40200 HOUSTON TX 77240-0200

**Project Name and Location:**  
 DADE COUNTY PRODUCT APPROVAL  
 DADE COUNTY, FLORIDA

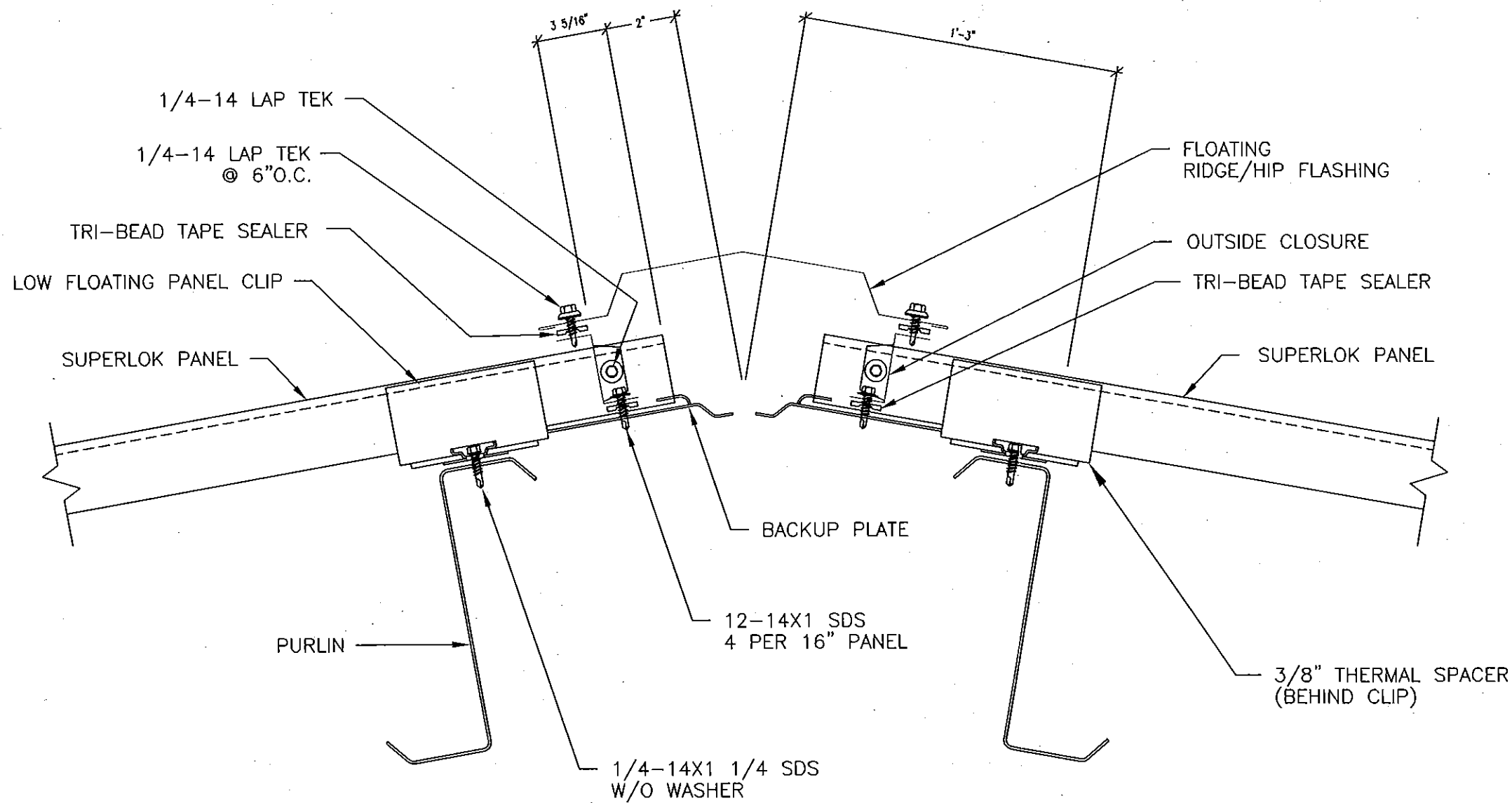
**SHEET TITLE:**  
 SUPERLOK PANEL DETAIL

Scale: NOT TO SCALE  
 Drawn by: EH  
 Checked by: JA  
 Job Number:  
 Sheet Number: 2 OF 7

THESE DRAWINGS AND THE METAL COMPONENTS THEY REPRESENT ARE THE PRODUCT OF NCI GROUP OR ANOTHER DIVISION OR AFFILIATE OF NCI GROUP, INC. - 7301 FAIRVIEW DR. HOUSTON TX 77041. THE ENGINEER WHOSE SEAL APPEARS HEREON IS EMPLOYED BY NCI GROUP OR ANOTHER DIVISION OR AFFILIATE OF NCI GROUP, INC. AND IS NOT THE ENGINEER OF RECORD FOR THIS PROJECT. THESE DRAWINGS MUST BE REVIEWED FOR PROJECT COMPLIANCE BY THE ENGINEER OF RECORD.



# TYPICAL DETAILS RIDGE



CROSS SECTION OF RIDGE

Revision	Date	Description

**nci GROUP, INC.**  
 CORPORATE OFFICES 7301 FAIRVIEW DR. HOUSTON TX 77041 (800) 777-9278  
 MAILING P.O. BOX 4820 HOUSTON TX 77240-0820

Project Name and Location:  
 DADE COUNTY PRODUCT APPROVAL  
 DADE COUNTY, FLORIDA

SHEET TITLE:  
 SUPERLOK PANEL DETAIL

Scale: NOT TO SCALE  
 Drawn by: EH  
 Checked by: JA  
 Job Number:  
 Sheet Number: 3 OF 7

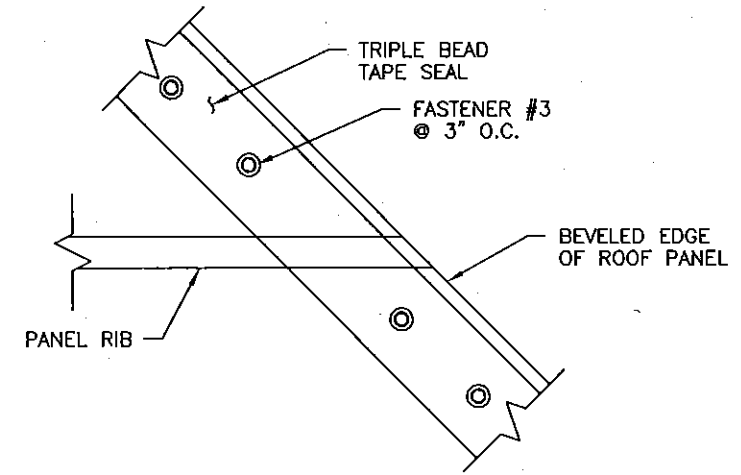
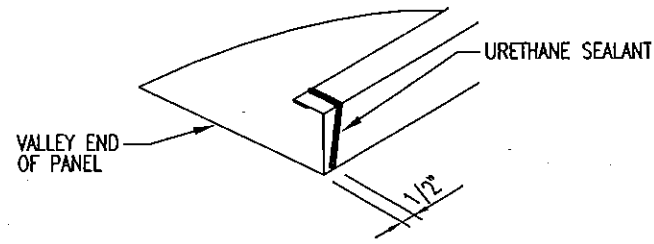
THESE DRAWINGS AND THE METAL COMPONENTS THEY REPRESENT ARE THE PRODUCT OF NCI GROUP OR ANOTHER DIVISION OR AFFILIATE OF NCI GROUP, INC. - 7301 FAIRVIEW DR. HOUSTON TX 77041. THE ENGINEER WHOSE SEAL APPEARS HEREON IS EMPLOYED BY NCI GROUP OR ANOTHER DIVISION OR AFFILIATE OF NCI GROUP, INC. AND IS NOT THE ENGINEER OF RECORD FOR THIS PROJECT. THESE DRAWINGS MUST BE REVIEWED FOR PROJECT COMPLIANCE BY THE ENGINEER OF RECORD.

Professional Engineer Seal for Mark Detwiler, License 64247, State of Florida. The seal includes a signature and the date APR 14 2015.

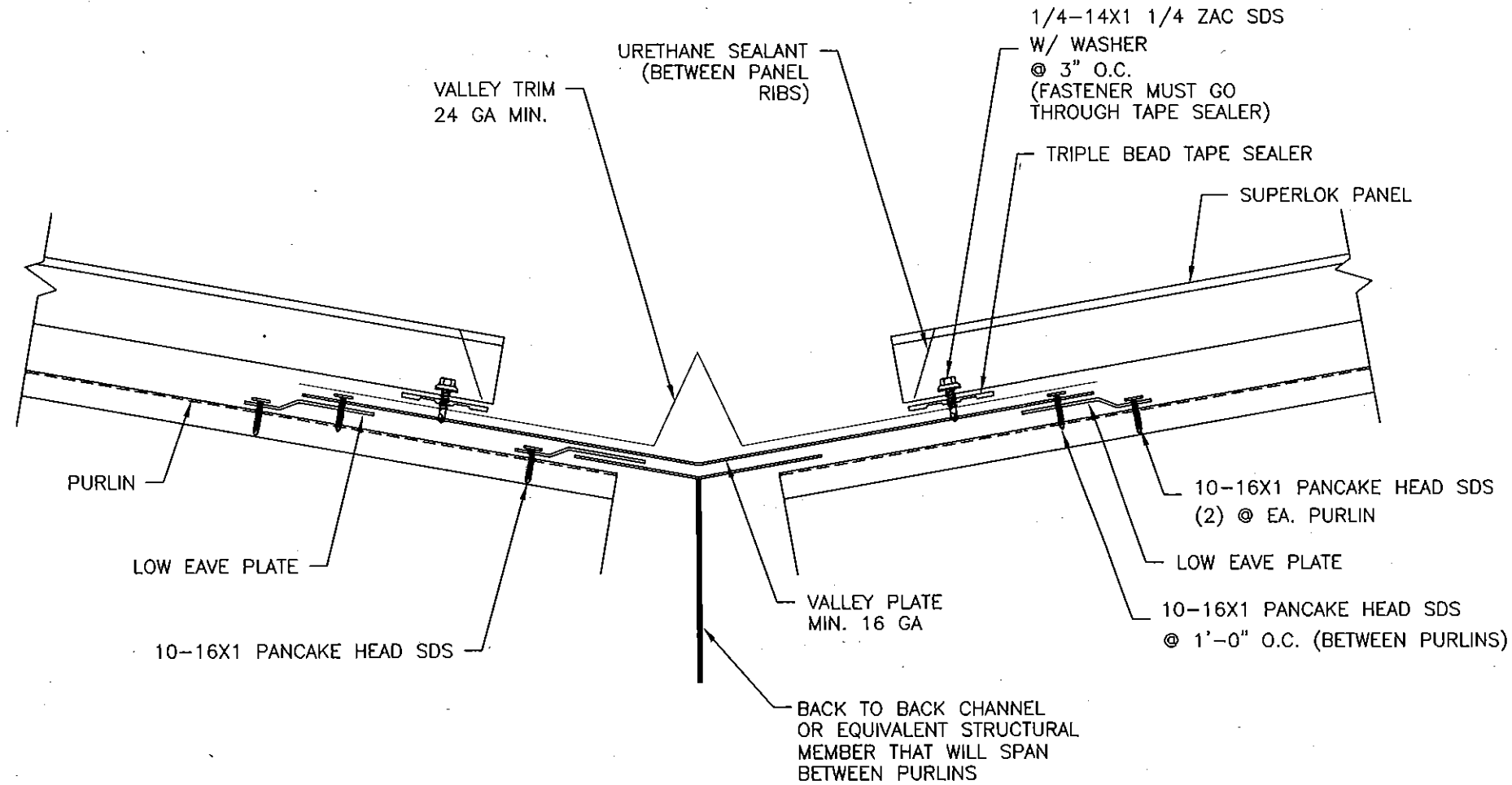


# TYPICAL DETAILS

## VALLEY



ISOMETRIC VIEW OF VALLEY



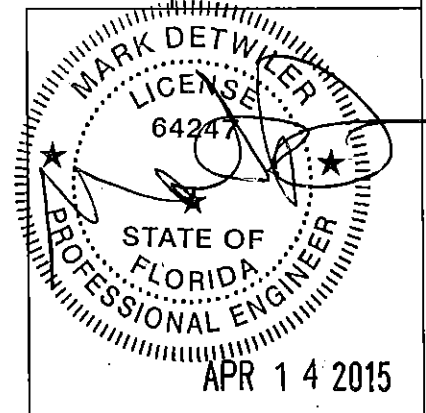
CROSS SECTION OF VALLEY

By	Date	Revision	Description

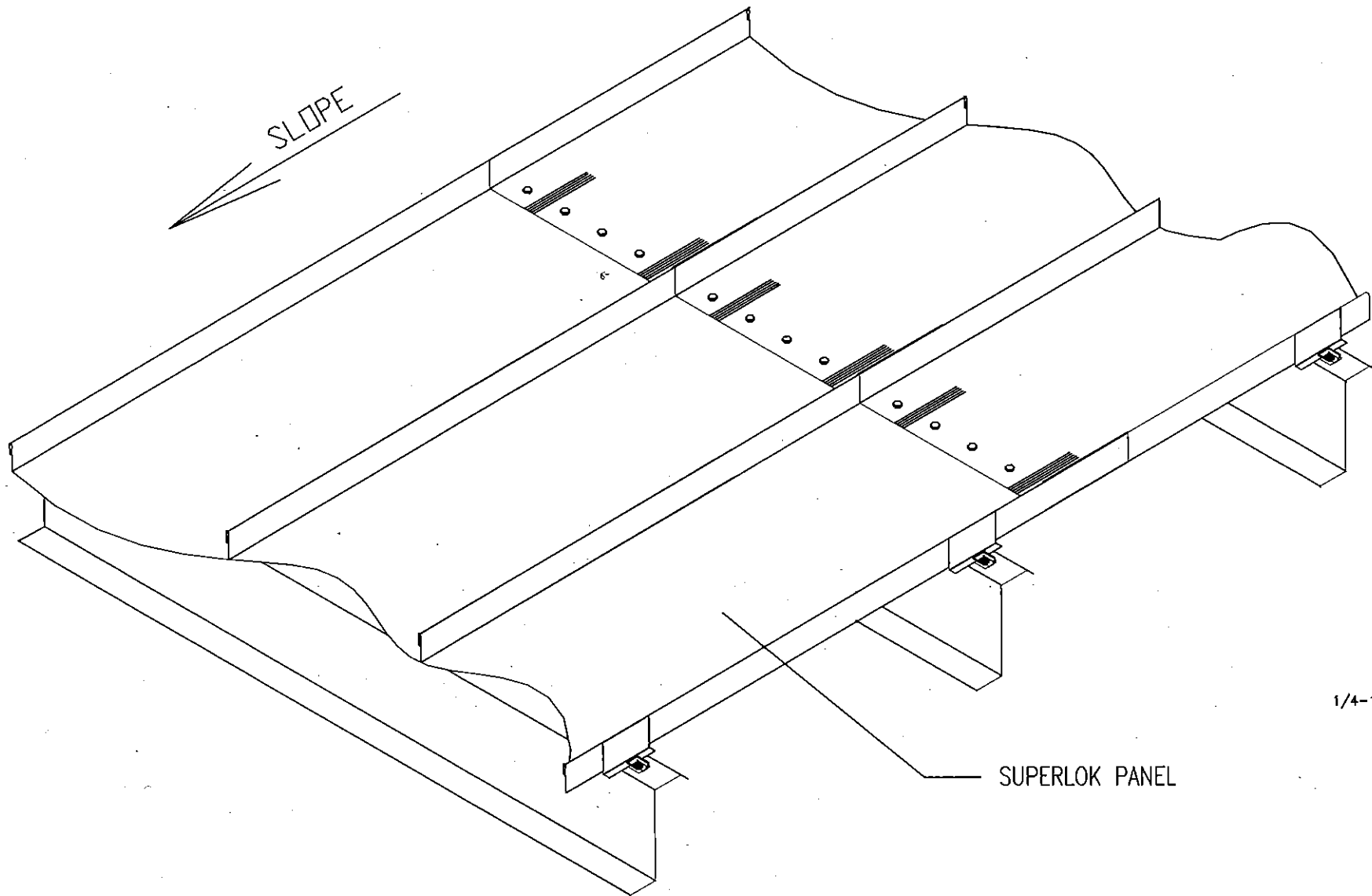
<p><b>ngi GROUP, INC.</b> CORPORATE OFFICES: 7301 FAIRVIEW DR. HOUSTON TX 77041 (800) 777-8078 WALLING, P.O. BOX 40200 HOUSTON TX 77249-0200</p> <p><i>Project Name and Location:</i> DADE COUNTY PRODUCT APPROVAL DADE COUNTY, FLORIDA</p>	<p><i>SHEET TITLE:</i> SUPERLOK PANEL DETAIL</p>
---	--

Scale: NOT TO SCALE  
 Drawn by: EH  
 Checked by: JA  
 Job Number:  
 Sheet Number: 4 OF 7

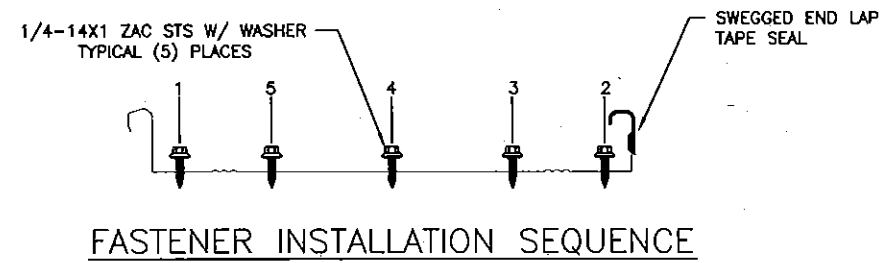
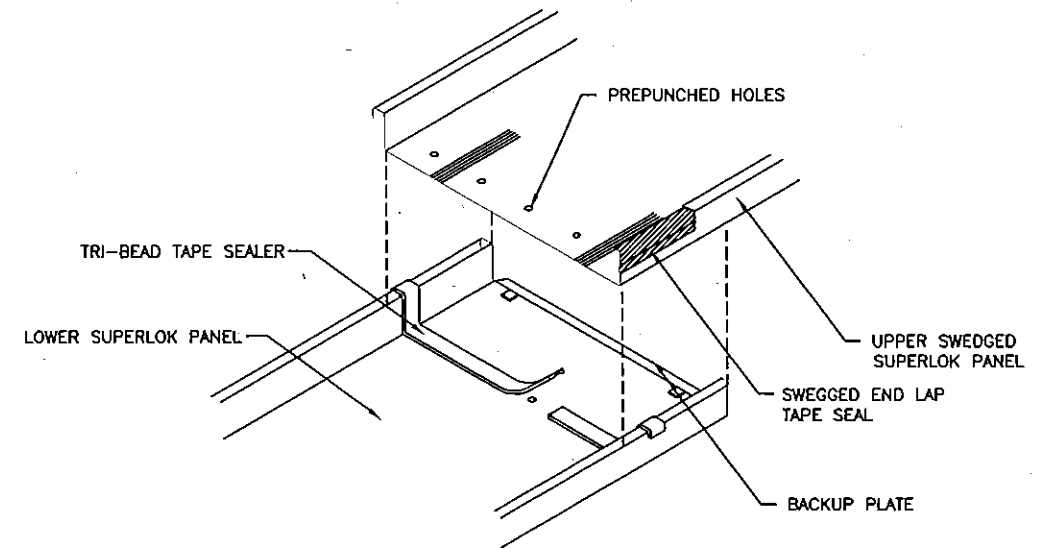
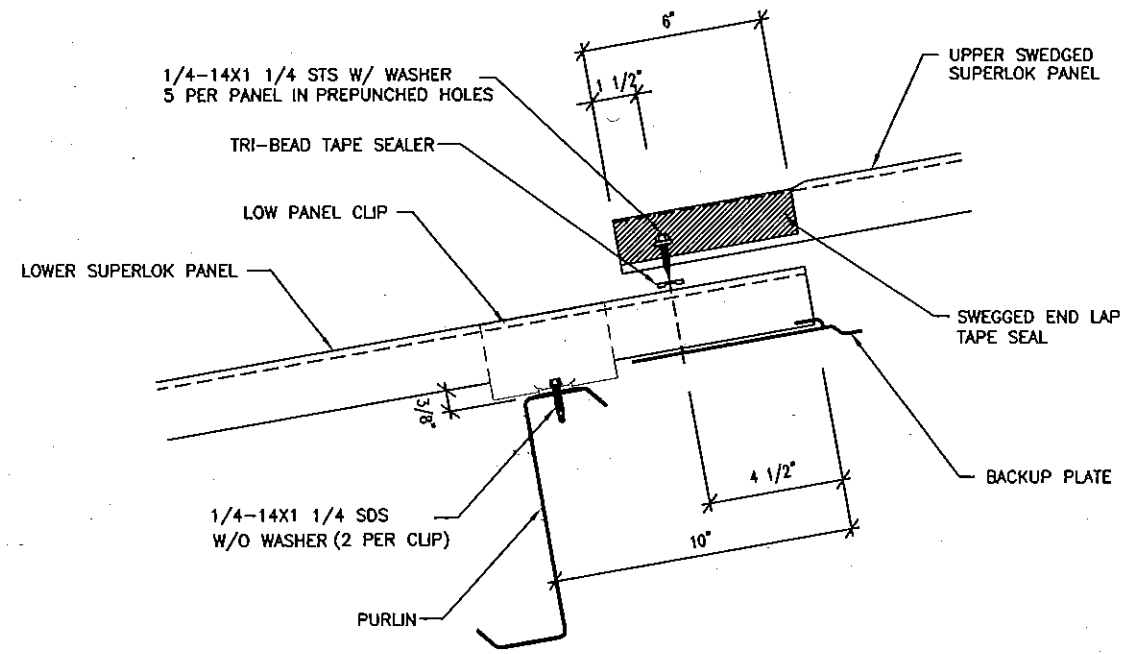
THESE DRAWINGS AND THE METAL COMPONENTS THEY REPRESENT ARE THE PRODUCT OF NCI GROUP OR ANOTHER DIVISION OR AFFILIATE OF NCI GROUP, INC. - 7301 FAIRVIEW DR. HOUSTON TX 77041. THE ENGINEER WHOSE SEAL APPEARS HEREIN IS EMPLOYED BY NCI GROUP OR ANOTHER DIVISION OR AFFILIATE OF NCI GROUP, INC. AND IS NOT THE ENGINEER OF RECORD FOR THIS PROJECT. THESE DRAWINGS MUST BE REVIEWED FOR PROJECT COMPLIANCE BY THE ENGINEER OF RECORD.



# TYPICAL DETAILS PANEL LAPS



ISOMETRIC VIEW OF SUPERLOK PANEL



By	Description	Date	Revision

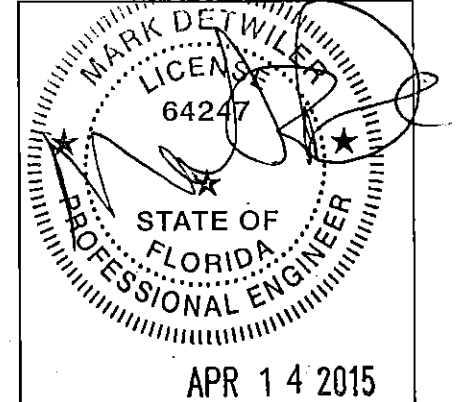
**nci GROUP, INC.**  
 CORPORATE OFFICES: 7301 FAIRVIEW DR. HOUSTON TX 77041 281-777-9378  
 MAILING: 1911 BOX 4028 HOUSTON TX 77060-0208

*Project Name and Location:*  
 DADE COUNTY PRODUCT APPROVAL  
 DADE COUNTY, FLORIDA

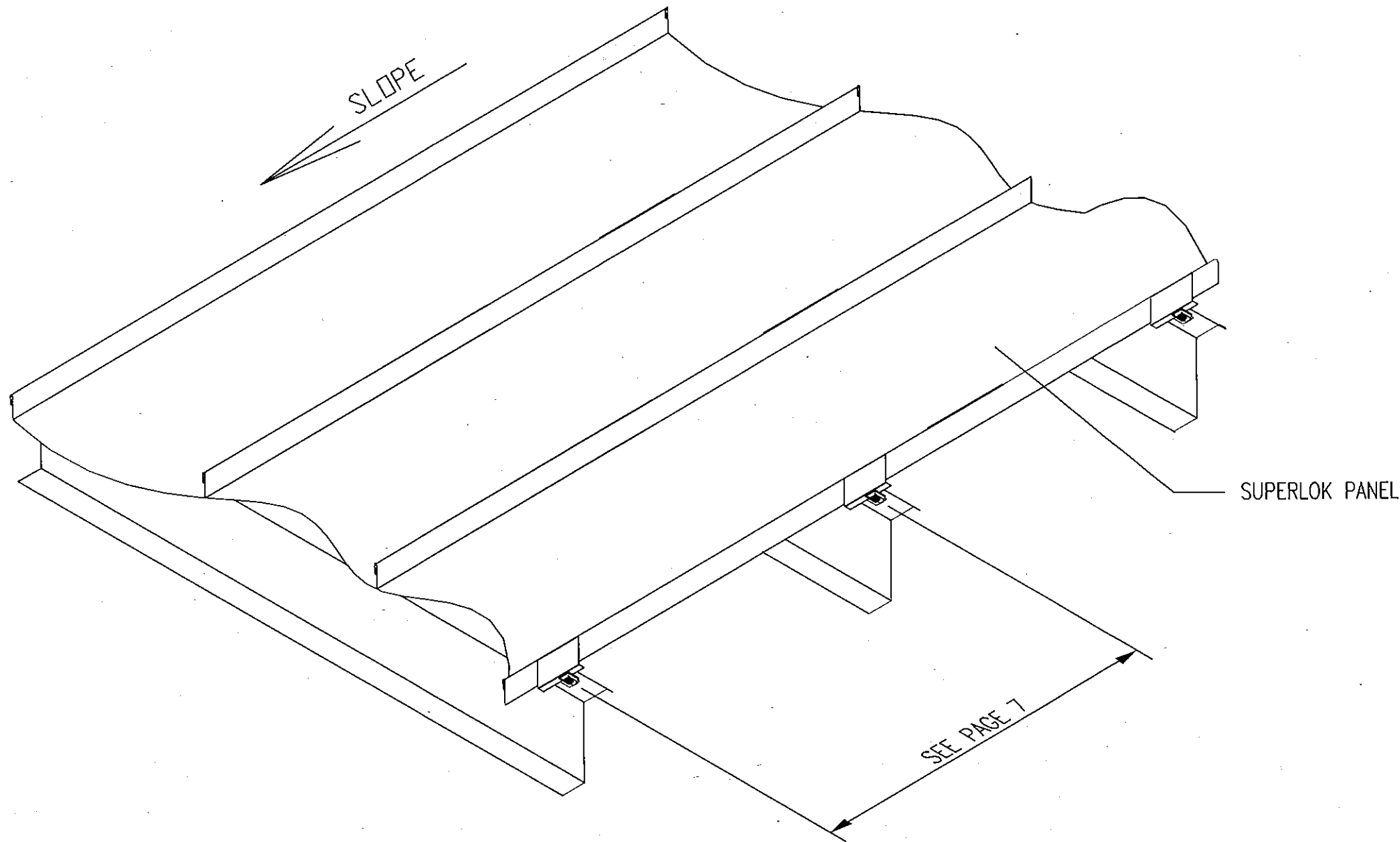
*SHEET TITLE:*  
 SUPERLOK PANEL DETAIL

Scale: NOT TO SCALE  
 Drawn by: EH  
 Checked by: JA  
 Job Number:  
 Sheet Number: 5 OF 7

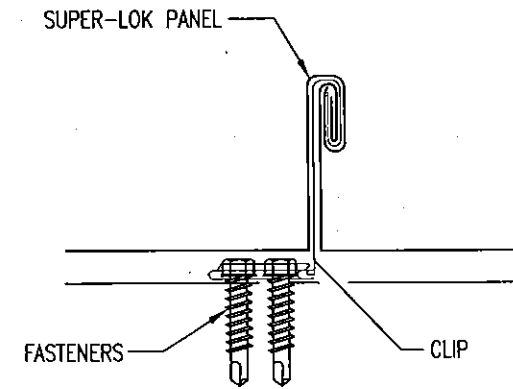
THESE DRAWINGS AND THE METAL COMPONENTS THEY REPRESENT ARE THE PRODUCT OF NCI GROUP OR ANOTHER DIVISION OR AFFILIATE OF NCI GROUP, INC. - 7301 FAIRVIEW DR. HOUSTON TX 77041. THE ENGINEER WHOSE SEAL APPEARS HEREIN IS EMPLOYED BY NCI GROUP OR ANOTHER DIVISION OR AFFILIATE OF NCI GROUP, INC. AND IS NOT THE ENGINEER OF RECORD FOR THIS PROJECT. THESE DRAWINGS MUST BE REVIEWED FOR PROJECT COMPLIANCE BY THE ENGINEER OF RECORD.



# TYPICAL DETAILS FASTENER DIAGRAM



ISOMETRIC VIEW OF SUPERLOK PANEL



CROSS SECTION  
AFTER SEAMING

CK'd	By	Description	Date	Revision

**NCI GROUP, INC.**  
 CORPORATE OFFICES: 7301 FAIRVIEW DR. HOUSTON, TX 77041 (800) 777-9078  
 MAILING: P.O. BOX 4825 HOUSTON, TX 77241-0825

Project Name and Location:  
 DADE COUNTY PRODUCT APPROVAL  
 DADE COUNTY, FLORIDA

SHEET TITLE:  
 SUPERLOK PANEL DETAIL

Scale: NOT TO SCALE

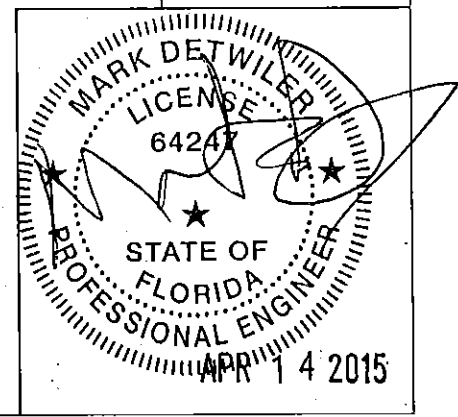
Drawn by: EH

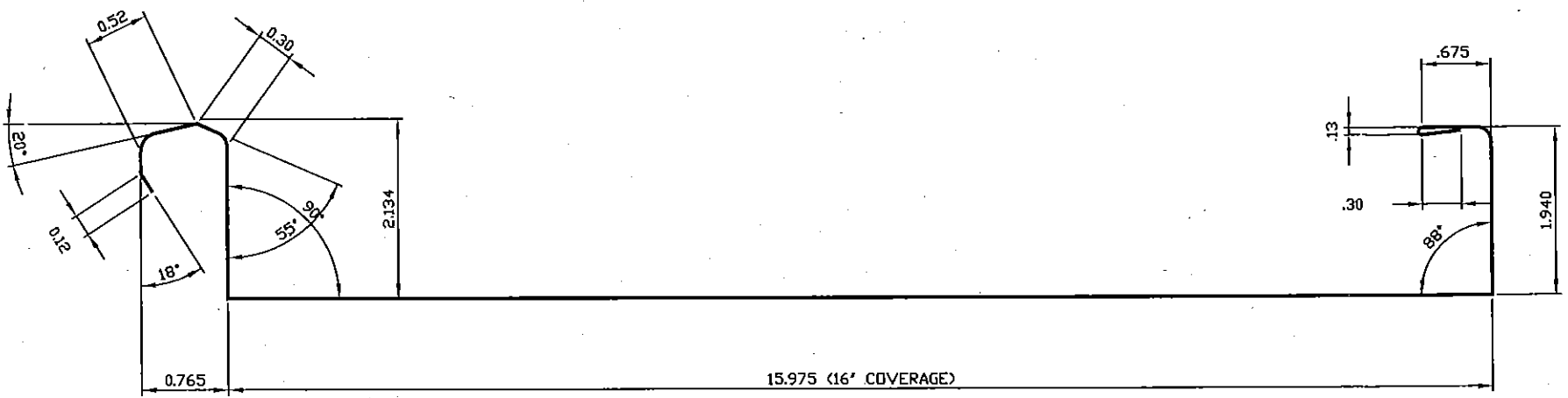
Checked by: JA

Job Number:

Sheet Number: 8 OF 7

THESE DRAWINGS AND THE METAL COMPONENTS THEY REPRESENT ARE THE PRODUCT OF NCI GROUP OR ANOTHER DIVISION OR AFFILIATE OF NCI GROUP, INC. - 7301 FAIRVIEW DR. HOUSTON TX 77041. THE ENGINEER WHOSE SEAL APPEARS HEREON IS EMPLOYED BY NCI GROUP OR ANOTHER DIVISION OR AFFILIATE OF NCI GROUP, INC. AND IS NOT THE ENGINEER OF RECORD FOR THIS PROJECT. THESE DRAWINGS MUST BE REVIEWED FOR PROJECT COMPLIANCE BY THE ENGINEER OF RECORD.





**SUPERLOK CROSS SECTION**

CONFIDENTIAL FOR OFFICIAL USE ONLY

**NOTES:**

- THE 22 GAGE SUPERLOK STANDING SEAM ROOF PANELS SHALL BE USED FOR ROOF CONSTRUCTION ONLY. THE ACTUAL ROOF PROJECT SHALL BE CONSTRUCTED USING THE SAME DETAILS SHOWN ON THESE DRAWINGS INCLUDING:
  - DETAILS OF ALL PANEL MATERIAL CHARACTERISTICS AND SECTIONS WITH DIMENSIONS AND THICKNESS.
  - ASSEMBLY DETAILS INCLUDING ALL CONNECTION'S FASTENERS DIAGRAM WITH SIZE AND LOCATION.
  - PANEL MAXIMUM SPAN AND PRESSURE FOR THE FIELD, PERIMETERS AND CORNERS SHOWN.
- THE MAXIMUM ALLOWABLE SPANS AND PRESSURES FOR THE 22 GAGE STEEL ROOF PANEL ARE AS FOLLOWS:
 

	MAXIMUM PANEL SPAN	MAXIMUM PRESSURE(psf)
FIELD ZONE	5'-0"	51.49
EDGE ZONE	1'-0"	104.72
- ALL PANELS SUBMEMBERS SHALL BE STEEL WITH 16 GA. MINIMUM THICKNESS.
- THIS STRUCTURAL ROOF PANEL SYSTEM HAS BEEN DESIGNED IN ACCORDANCE WITH FLORIDA BUILDING CODE (FBC) FOR USE WITH 5TH EDITION (2014) FBC AND THE 2010 FBC AS APPLICABLE THE DESIGN PRESSURES AS DETERMINED FROM SECTION 1620 AND ASCE 7-10 MUST BE MULTIPLIED BY 0.60.

**PANEL PROPERTIES**

PANEL GAUGE	PANEL THICKNESS	YIELD STRENGTH	TENSILE STRENGTH	ELONGATION	HARDNESS	STEEL COATING	PAINT COATINGS
22	.029 MIN.	50 KSI	55-70 KSI	20-36%	50-65 HRB	AZ 55	SIG 300 KYNAR

**PANEL ACCESSORIES**

<p><b>CONSTRUCTION FASTENERS INC.</b>          SPRING STREET AND VAN REED ROAD          P.O. BOX 6326, WYOMISSING PA 19610</p> <ul style="list-style-type: none"> <li> #14 X 7/8" LAP TEK W/BOND SEAL WASHER</li> <li> 1/4-14 X 1 1/4 SDS W/ WASHER</li> <li> #12-14 X 1 SDS</li> <li> 1/4-14 X 1 1/4 SDS #2 PT. W/O WASHER</li> <li> #10-16 PANCAKE HEAD SDS</li> <li> 1/4-14 X 1 ZAC STS W/ WASHER</li> </ul>	<p><b>GULF-SEAL SPECIALTIES, INC.</b>          P.O. BOX 508          SOUTH HOUSTON, TX 77587</p> <ul style="list-style-type: none"> <li> TRI-BEAD TAPE SEALER MB-10A (POLYISOBUTYLENE-ISOPRENE)</li> <li> TRIPLE BEAD TAPE SEALER MB-10A (POLYISOBUTYLENE-ISOPRENE)</li> <li> SAVED ON LAP LIFE SEAL TAPE SEALER MB-10A (POLYISOBUTYLENE-ISOPRENE)</li> </ul> <p><b>SCHNEE-MOREHEAD, INC.</b>          111 NORTH NURSERY ROAD          IRVING, TX 75060</p> <p> PERMATHANE URETHANE CAULK</p>
---	---

Ck'd	By	Description	Date	Revision

**NEI GROUP, INC.**

CORPORATE OFFICES: 7301 FAIRVIEW DR. HOUSTON, TX 77041, (800) 777-9378  
 HOUSTON, TX 77041, (281) 726-9825

Project Name and Location:  
 DADE COUNTY PRODUCT APPROVAL  
 DADE COUNTY, FLORIDA

SHEET TITLE:  
 SUPERLOK PANEL DETAIL

Scale: NOT TO SCALE  
 Drawn by: EH  
 Checked by: JA  
 Job Number:  
 Sheet Number: 7 OF 7

THESE DRAWINGS AND THE METAL COMPONENTS THEY REPRESENT ARE THE PRODUCT OF NEI GROUP OR ANOTHER DIVISION OR AFFILIATE OF NEI GROUP, INC. - 7301 FAIRVIEW DR. HOUSTON TX 77041. THE ENGINEER WHOSE SEAL APPEARS HEREIN IS EMPLOYED BY NEI GROUP OR ANOTHER DIVISION OR AFFILIATE OF NEI GROUP, INC. AND IS NOT THE ENGINEER OF RECORD FOR THIS PROJECT. THESE DRAWINGS MUST BE REVIEWED FOR PROJECT COMPLIANCE BY THE ENGINEER OF RECORD.

