



CFR

Field Seaming Tool Manual

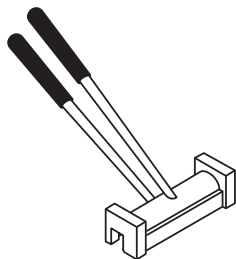
CFR Seaming Information

The seamer is shipped in specially designed boxes accompanied by a field manual. **Read the field manual thoroughly before starting the seaming operation. Failure to adhere to these instructions will result in damage to the seamer and/or panels. The erector will be held liable for any costs incurred for replacement or repair.**

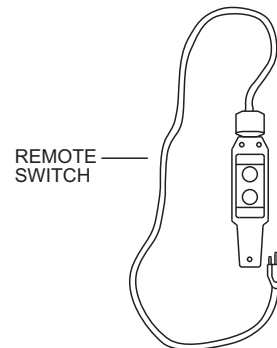
Pre-Seaming Information

1. Locate field manual in the hand crimper or seamer box and review operational procedures.
2. Locate power source and check against power requirements in field manual.
3. Check seams for proper engagement.
4. Clean dirt, debris and excess sealant from seams and panel surfaces to avoid interfering with the seaming operation.
5. Panels should be seamed with electric seaming tool as panels are being installed.

EQUIPMENT CHECKLIST

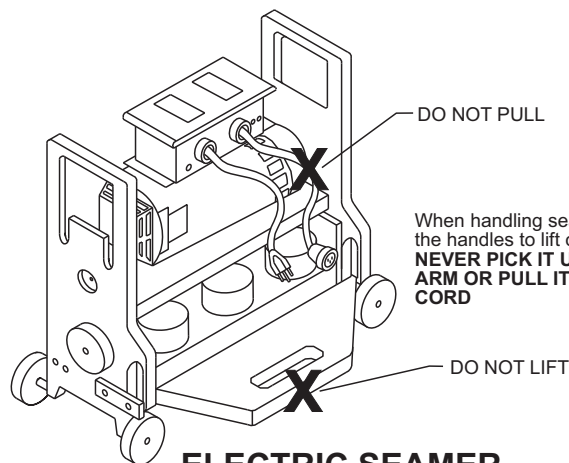


RIB LOCKER
(Sold Separate)



REMOTE SWITCH

PENDENT



ELECTRIC SEAMER

ERECTOR RESPONSIBILITY

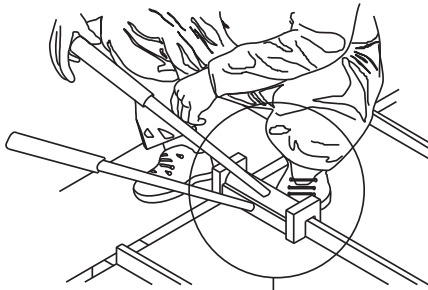
This Seaming Equipment Kit was checked before shipment and found to be complete and in proper working condition. Upon receipt of this kit, inspect for any damage that may occurred during shipment. If any damage is discovered, call MBCI immediately for instructions.

It is the erector's responsibility to become familiar with, and operate, the seaming equipment in accordance with the instructions provided in this manual using safe construction practices. Failure to adhere to these instructions could result in damage to the seaming equipment and/or roof panels, or injury to erection personnel.

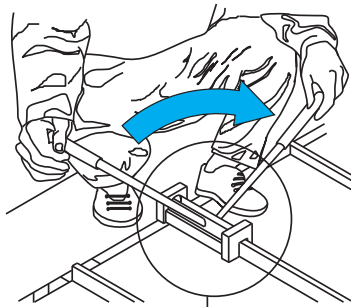
SEAMER MANUAL CFR

SEAMING OPERATION Hand Crimper

As panels are installed, hand tool the seam at each clip with hand tool.
Panels should be completely seamed with electric seamer as soon as possible



BEGINNING - FIRST STAGE



FINISHING - FIRST STAGE

Place hand tool over clip location with crimping arms together. Push crimping arms apart to form finished seam.

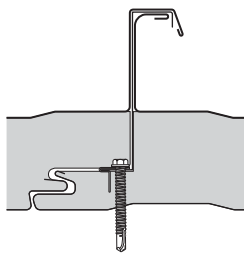
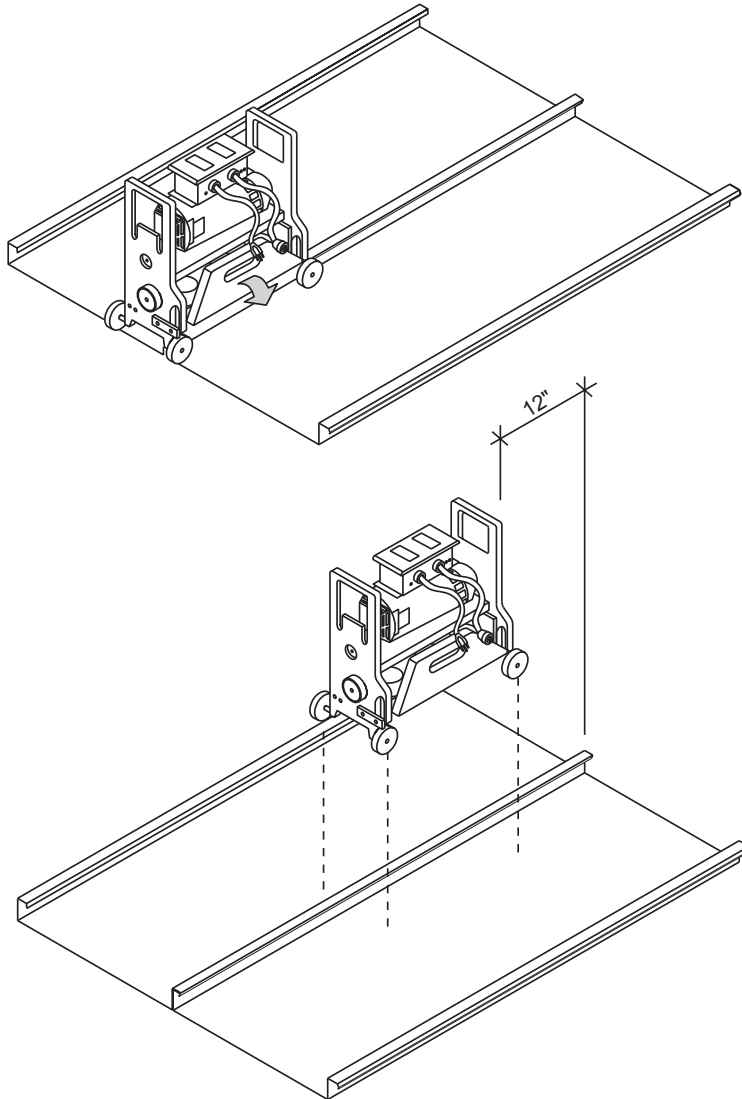
Bring crimping arms back together and remove hand tool from seam.

NOTE

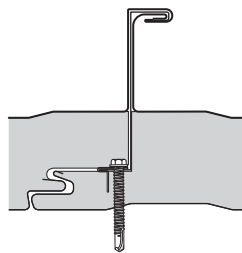
The ridge end of the panel seams must be closed before installation of the ridge closures.

CFR

SEAMER MANUAL



PANEL PROFILE
 BEFORE SEAMING



PANEL PROFILE
 AFTER SEAMING

CAUTION

The use of any field seaming machine other than that provided by the manufacturer may damage the panels, void all warranties and will void all engineering data.

SEAMING OPERATION

Electric Seamer

The electric seamer will run upslope and downslope and is controlled by a hand-held forward and reverse remote switch. The seamer will form the seam when running in either direction. An orientation plate on the seamer indicates forward and reverse. The remote switch is designed to stop the seamer when the button is released. The seamer will continue for approximately 6 to 8 inches after the button is released. Do not try to immediately switch directions with the seamer button to stop the seamer.

On lower roof slopes, walking with the seamer is recommended.

On steep sloped roofs (6:12 and greater) a 12-gauge extension cord (not included with seamer kit) may be installed between the remote switch and the seamer. Seaming can then be accomplished by starting the seamer at the eave from a manlift. When using this method the seam will be formed upslope and then the seamer will be reversed down the seam to the eave, removed and placed on the next seam. During panel installation, hand crimp the end of the panels 12" downslope from the ridge or high side of the roof. Stop the seamer at this point to prevent the seamer from running into the flashing or running off the roof. Finish remainder of seam with the hand crimper. To prevent the seamer from running off of the roof, always hand crimp the first and last 12" of panel seam.

To begin seaming, set the seamer on the seam with the locking arm up and to the open side of the seam. The wheels should be even with the edge of the panel. Push the locking arm down to engage the tools and turn on the seamer.

CAUTION

- Seamer operation should be closely supervised at all times.
- A safety line should be attached to the seamer.
- Be aware of which direction the seamer will move before engaging the switch.
- Do not entangle the electrical cords in the seamer tooling while it is in operation. This could cause serious injury or death to the operator and severely damage the seamer.
- Electrical cords should be 10-gauge to provide power to the seamer and never be over 200 feet from the electrical source.
- **The seamer will move approximately 6 to 8 inches after the hand switch is released.**
- **Bring seamer to a complete stop before changing direction.**

SEAMER SPECIFICATIONS AND MAINTENANCE

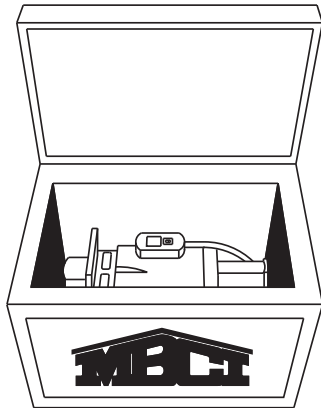
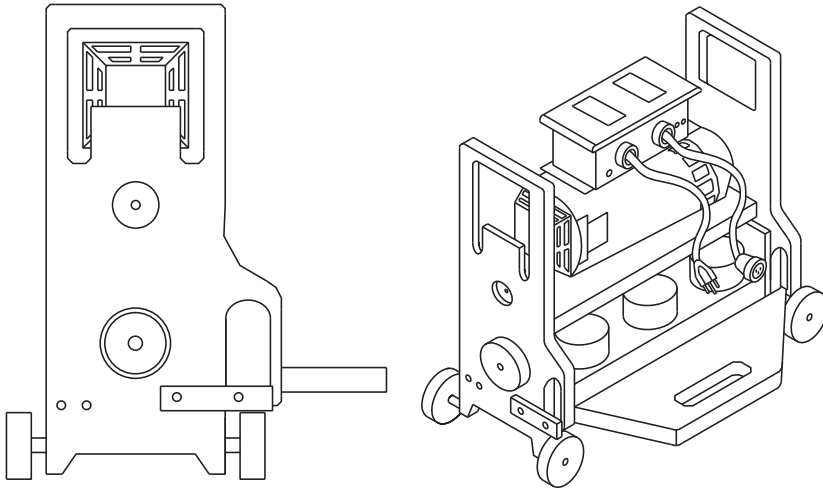
Seamer will seam 50 TO 60 F.P.M. depending on gauge of panels and pitch of roof.

Seamer has 10 or 15 amp., 120 v., AC/DC motor.

Seamer should be cleaned with a nonflammable solvent, often, to prevent a build-up of galvalume or sealant on the rolls. **DO NOT SPILL CLEANING SOLVENT ON ROOF PANELS. THIS WILL VOID THE WARRANTIES ON THE ROOF PANELS FINISHES.**

Any adjustments, maintenance, modification, or repair not otherwise specifically set forth in this manual, must be conducted by MBCI.

If seamer motor should stop suddenly, check reset button located on the side of the electrical box on top of seamer motor. **CONTINUED RESETTING OF MOTOR COULD BE INDICATIVE OF LOW VOLTAGE AND WILL CAUSE DAMAGE TO SEAMING MACHINE.** Check size and length of electric cords. If problem still persists, use an alternate power source.



SHIPPING INSTRUCTIONS

Replace the seaming machine in the box. All items should be clean and in proper working condition. A \$50 minimum charge will be assessed for equipment improperly cleaned or damaged.

Return seamer as soon as you are finished. For seamer pick-up, please call FedEx Freight at 877-918-6012 extension #5091070. If possible, call the shipper the day before you are finished.

SEAMER SHIPPING WEIGHT — 147 LBS.

Descriptions and specifications contained herein were in effect at the time this publication was approved for printing. In a continuing effort to refine and improve products, MBCI reserves the right to discontinue products at any time or change specifications and/or designs without incurring obligation. **To insure you have the latest information available, please inquire or visit our Web Site at <http://www.mbc.com>.** Application details are for illustration purposes only and may not be appropriate for all environmental conditions, building designs, or panel profiles. Projects should be engineered to conform to applicable building codes, regulations, and accepted industry practices. Insulation is not shown in these details for clarity. **If there is a conflict between this manual and the erection drawings, the erection drawings will take precedence.**



Houston: 877/713-6224
Adel, GA 888/446-6224 Atlanta,
GA 877/512-6224 Atwater, CA
800/829-9324 Indianapolis, IN
800/735-6224

Oklahoma City, OK 800/597-6224
Phoenix, AZ 888/533-6224
Rome, NY 800/559-6224
Salt Lake City, UT 800/874-2404
San Antonio, TX 800/598-6224