



SELF-STORAGE ROLL-UP DOORS

650 SERIES

The 650 is the elite choice for an easy to operate and low maintenance door, which features shielded steel radial bearings on both support brackets. The tension bracket allows for easy, quick, safe, inexpensive and unlimited adjustments to the door.

Self-Storage Solutions:

Maximized Capacity Solution

- Summit Series (Mezzanine)

Wine Storage Solution

- Vineyard Series

Self-Storage Doors

- 650 Series
- 690 Series Wind Load Door
- 1900 Series Boat & RV Doors
- 651, 691, 1950 Series Insulated Doors

Hallway Systems

- Swing Door 300 Series (flush and corrugated)
- Swing Door 500 Series (flush and corrugated)
- Header Panel
- Filler Panel
- Corawall
- Securawall

Soffit Systems

- Hall Soffit (three-piece)
- Light Soffit
- Entry Soffit
- Flush Ceiling Soffit

Security Solutions

- Mesh Security Wire
- Burglar Security Bars

Safeguards

- Kickplates (Galvanized or Diamond Plates)
- Cornerguards (Galvanized or Diamond Plates)
- Linerwalls (Galvanized or Diamond Plates)

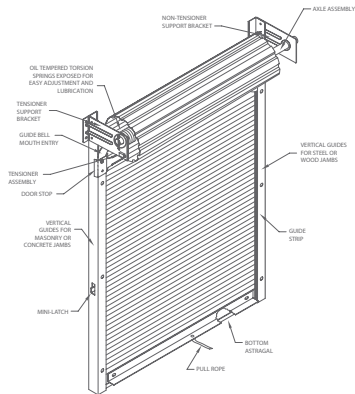
Structural Framing

- Exterior Pier & Header System

650 SERIES

SELF-STORAGE ROLL-UP DOORS

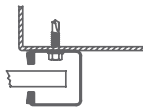
INTERIOR ELEVATION



GUIDE MOUNTING



MASONRY MOUNT

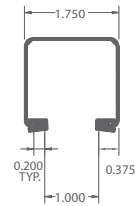


STEEL MOUNT

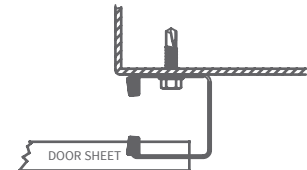


WOOD MOUNT

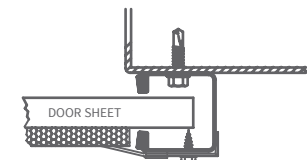
GUIDE DETAIL



DOOR ENGAGEMENT



INSULATED DOOR DETAIL



651 SERIES

Also available with insulation (651 Series)

WeatherXL™



Curtain

- 26-gauge galvanized, Grade E hard steel
- $\frac{5}{8}$ " ribbed corrugation
- Many latch options available
- All latches accept double locks and $\frac{7}{16}$ " shackles

Bottom Bar

- 6063 - T6 aluminum extrusion
- $1\frac{1}{2}$ " x $1\frac{1}{2}$ " galvanized angles
- Replaceable bulb astragal

Axle-Drum Assembly

- $1\frac{5}{16}$ " O.D. steel axle, 14-gauge
- Utilizes $9\frac{1}{2}$ ", 18-gauge drums
- Oil tempered e-coated torsion springs, available in two springs upon request from 7' to 10' wide
- Fully accessible springs for inspection and maintenance

Guide System

- 18-gauge galvanized steel
- Pre-punched holes for anchors, slide latch, bracket attachment and head stop attachment
- Polyethylene guide strips provide easy, quiet operation

Hardware

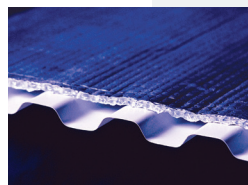
- 12-gauge head stops have slotted mounting holes for proper attachment
- 14-gauge galvanized steel handles
- 12-gauge tension bracket made for additional strength
- Shielded radial bearings for smooth operation
- Gear-driven tensioning bracket allows for smooth adjustment
- 12-gauge bearing bracket on right side

Options

- Top and side draft stop
- Weatherizing Storage Door Curtains™

Minimum Clearance

- Doors up to 10' require 17" of headroom
- Doors up to 8'8" require $3\frac{1}{4}$ " of side room, and doors up to 10' require $3\frac{1}{2}$ " of side room
- For proper exterior door installation, a $1\frac{1}{2}$ " deep rain lip must be formed in the concrete slab extending a minimum of $3\frac{1}{2}$ " from the interior face of the jamb
- The 650 Series are wind rated up to 8'8" wide and approximately 90 MPH. For test results on doors up to 8'8" wide, please contact MBCI Sales at (877) 713-6224.



Descriptions and specifications contained herein were in effect at the time this publication was approved for printing. In a continuing effort to refine and improve products, MBCI reserves the right to discontinue products at any time or change specifications and/or designs without incurring obligation. To ensure you have the latest information available, please inquire or visit our website at www.mbcicom. MBCI's insulated metal panel product line is manufactured by Metl-Span®.

