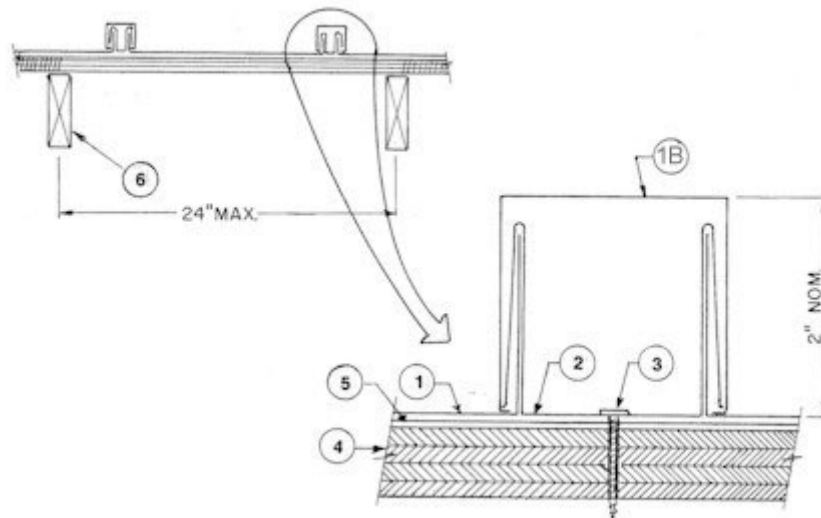


Construction No. 281

**Uplift - Class 90
Fire Not Investigated**



1. Metal Roof Deck Panels* No. 24 MSG min coated steel. Max panel width 21 in. Panels continuous over two or more spans End laps to occur adjacent to supports with panels overlapped 4 in. A line of sealant may be used at panel ends and side laps.

- CENTRIA--"ADP 100B" .
- KOVACH INC--"KB Panel"
- M-5 STEEL MFG INC--"M-5 1-1/2 in. Panel"
- MCELROY METAL MILL INC--"Medallion"
- MBCI-"Craftsman Series LB"
- NCI BUILDING SYSTEMS LP--" Craftsman Series LB "

1A. Metal Roof Deck Panels* (Battens) Battens covering "KB" Panel ribs and Clips to be 1-11/16 in. wide at top segment, 2 in. high, formed from same type and thickness material as that used to fabricate "KB" Panels.

- CENTRIA--"ADP 100B Batten" .
- KOVACH INC--"KB Batten"

1B. Metal Roof Deck Panels* (Battens) - Battens covering panel ribs and clips to be 2 in. wide and 2 in. high, formed from the same type and thickness material as that used to fabricate metal panels (Item 1).

- CENTRIA--"ADP 100B Batten" .
- M-5 STEEL MFG INC--"M-5 Batten Cap"
- MCELROY METAL MILL INC--"Medallion II"
- MBCI--"LB Batten"
- NCI BUILDING SYSTEMS LP--" LB Batten"

2. Roof Deck Fasteners* (Panel Clips) - One piece clip, 1-3/4 in. high, 1-5/16 in. wide by 2 in. long. Clips are spaced max 24 in. OC, located at the panel sides with guide holes in bottom to accommodate screw fasteners (Item 3).

- CENTRIA--"ADP 100B Clip" .
- KOVACH INC--"KB Clip"
- M-5 STEEL MFG INC--"M-5 Batten Clip"
- MCELROY METAL MILL INC--"Medallion II"
- NCI BUILDING SYSTEMS LP--" LB Clip"

3. Fasteners (Screws) - Screws used to attach the panel clips to plywood or OSB to be No. 10 by 1 in. long Pancake head wood screw with a No. 2 Phillips head size. One screw per clip.

Screws used to attach plywood or OSB substructure (Item 4) to wood trusses or joists (Item 6) to be No. 8 by 2 in. Bugle head screws. As an optional fastener, 2-1/2 in. long 8d common deformed shank nails may be used.

When light gauge structural steel joists are used, screws to be No. 12 by 1-5/8 in. long with a Phillips head.

Spacing of screws to be 6 in. OC at plywood or OSB ends and 12 in. OC at interior joists.

4. Substructure (Plywood or OSB) Plywood decking to be a nom 5/8 in. thick, exposure sheathing span C-D, 40/20 plywood or oriented strand board (OSB), nom 9/16 in. thick. (All butt joints to be sealed against leakage by using tape and/or caulk.)

5. Waterproof Membrane (Optional) - Used to protect plywood or OSB (Item 4). Installed under panels (Item 1).

6. Joists, spaced at 2 ft, 0 in. OC max, may be one of the following:

- Nom 2 by 6 in. wood joists No. 2 or better.
- Nom 2 by 4 in. wood when used on a top chord of a wood truss, No. 2 or better.
- Light gauge structural steel framing with the member against the plywood or OSB to be a min No. 22 MSG coated steel.

7. Insulation (Optional)(Not Shown) - Any compressible blanket insulation 3 in. max thickness before compression. Insulation to be sandwiched between substructure (Item 4) and joists (Item 6).

Refer to General Information, Roof Deck Construction, (Roofing Materials and Systems Directory) for Items Not Evaluated.

*Bearing the UL Classification Marking