

# COMMERCIAL/INDUSTRIAL COLOR CHART

## ❖ SIGNATURE® 200 Standard Colors

**SILICONIZED  
POLYESTER**

*Polar White is a Straight Polyester.*

26-GAUGE MATERIAL

- Final color selection should be made from actual color chips.
- For the most current information available, visit our website at [www.mbc.com](http://www.mbc.com).
- See product selection chart for gauge and color availability.
- All products available in smooth or embossed finish.
- Trim available in all colors.
- A 25-year limited paint warranty is available for all colors upon written request. For locations outside the continental USA and Canada, please inquire.
- Signature® is a registered trademark of NCI Group, Inc. KYNAR 500® is a registered trademark of Arkema, Inc. HYLAR 5000® is a registered trademark of Solvay Solexis.

♦♦ Minimum quantities and/or extended lead times may be required. Please inquire.



HAWAIIAN BLUE★  
SR.32 SRI 35



CRIMSON RED★  
SR.33 SRI 34



FERN GREEN★  
SR.28 SRI 29



BURNISHED SLATE★  
SR.28 SRI 29



ASH GRAY★  
SR.48 SRI 56



SADDLE TAN★  
SR.48 SRI 56



DESERT SAND★  
SR.42 SRI 48



KOKO BROWN★  
SR.28 SRI 30



CHARCOAL GRAY★  
SR.28 SRI 30



GALLERY BLUE★  
SR.28 SRI 30



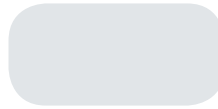
RUSTIC RED★  
SR.36 SRI 40



LIGHT STONE★  
SR.50 SRI 58



POLAR WHITE★  
SR.58 SRI 69  
\* Also available in 29-gauge



SOLAR WHITE♦♦★  
SR.74 SRI 91

## ❖ SIGNATURE® 300 Standard Colors

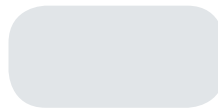
**KYNAR 500®  
HYLAR 5000®  
LOW GLOSS**

26-GAUGE MATERIAL  
PBR, PBU, PBA, PBC, PBD Panels only

- ♦ Also available in 24-gauge
- ♦♦ Minimum quantities and/or extended lead times may be required. Please inquire.



MEDIUM BRONZE★  
SR.33 SRI 36



SNOW WHITE★  
SR.65 SRI 79



SLATE GRAY★  
SR.37 SRI 41



ALMOND★  
SR.63 SRI 76



CLASSIC GREEN★  
SR.28 SRI 30



BROWNSTONE★  
SR.47 SRI 54



BRITE RED  
SR.49 SRI 55



HARBOR BLUE★  
SR.28 SRI 30



BONE WHITE♦♦★  
SR.70 SRI 85

★ ENERGY STAR  
Qualified Color



Houston, TX 877-713-6224  
Adel, GA 888-446-6224  
Atlanta, GA 877-512-6224  
Atwater, CA 800-829-9324

Dallas, TX 800-653-6224  
Indianapolis, IN 800-735-6224  
Jackson, MS 800-622-4136  
Lubbock, TX 800-758-6224

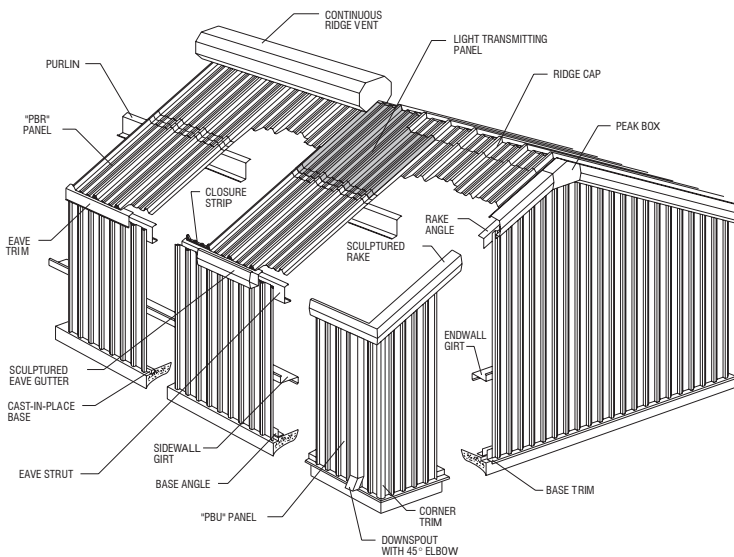
Memphis, TN 800-206-6224  
Oklahoma City, OK 800-597-6224  
Omaha, NE 800-458-6224  
Phoenix, AZ 888-533-6224

Richmond, VA 800-729-6224  
Rome, NY 800-559-6224  
Salt Lake City, UT 800-874-2404  
San Antonio, TX 800-598-6224

# COMMERCIAL/INDUSTRIAL PANEL PROFILES

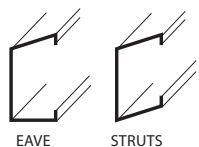
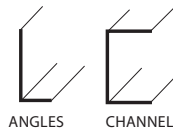
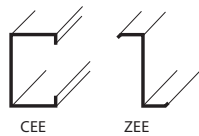
Profile	Panel	29 GAUGE		26 GAUGE		24 GAUGE		22 GAUGE	
		Galvalume Plus®	Sig 200	Galvalume Plus®	Sig 200	Galvalume Plus®	Sig 200	Galvalume Plus®	Sig 200
 *PBR* PANEL	PBR	●	■	●	■	●	■	●	■
 *PBU* PANEL	PBU	●	■	●	■	●	■	●	■
 *PBC* PANEL	PBC	●	■	●	■	●	■	●	■
 *PBD* PANEL	PBD	●	■	●	■	●	■	●	■
 7.2 PANEL	7.2	●	■	●	■	●	■	●	■
 *PBA* PANEL	PBA	●	■	●	■	●	■	●	■

● Available in any quantity ■ May require minimum quantity



## AVAILABLE ACCESSORIES

- Hat and Channel Sections
- Light Transmitting Panels
- Vents
- Roof Jacks
- Fasteners
- Ridge Caps
- Closures
- Doors
- Windows
- Sealants
- Insulation
- Bracing
- Bolts
- Louvers
- Sliding Door Hardware



## What is Solar Reflectivity (SR)?

Solar reflectivity or reflectance (SR) is the ability of a material to reflect solar energy from its surface back into the atmosphere. The SR value is a number from 0 to 1.0. A value of 0 indicates that the material absorbs all solar energy and a value of 1.0 indicates it is all reflected. ENERGY STAR requires SR testing of both new and aged roof products. New products must have an SR value of 0.25 or higher for steep slope (above 2:12) roofing and an SR value of 0.65 or higher for low slope (2:12 or less) roofing. Aged testing takes 3 years to complete, so not all products that meet the initial requirements are qualified. For more information, please go to [www.energystar.gov](http://www.energystar.gov).

## What is Solar Reflectance Index (SRI)?

The SRI is used to determine compliance with LEED requirements and is calculated according to ASTM E 1980 using values for reflectance and emissivity. Emissivity is a material's ability to release absorbed energy. To meet LEED requirements, a roofing material must have an SRI of 29 or higher for steep slope (above 2:12) roofing and an SRI value of 78 or higher for low slope (2:12 or less) roofing. For more information, please go to [www.usgbc.org](http://www.usgbc.org).

### SIGNATURE® 200 - SILICONIZED POLYESTER

	SR #	SRI #
HAWAIIAN BLUE	.32	35
CRIMSON RED	.33	34
FERN GREEN	.28	29
BURNISHED SLATE	.28	29
KOKO BROWN	.28	30
CHARCOAL GRAY	.28	30
ASH GRAY	.48	56
SADDLE TAN	.48	56
DESERT SAND	.42	48
POLAR WHITE	.58	69
RUSTIC RED	.36	40
LIGHT STONE	.50	58
GALLERY BLUE	.28	30
SOLAR WHITE	.74	91

### SIGNATURE® 300 - KYNAR 500®/HYLAR 5000®

	SR #	SRI #
MEDIUM BRONZE	.33	36
SNOW WHITE	.65	79
SLATE GRAY	.37	41
ALMOND	.63	76
CLASSIC GREEN	.28	30
BROWNSTONE	.47	54
BRITE RED	.49	55
HARBOR BLUE	.28	30
BONE WHITE	.70	85

