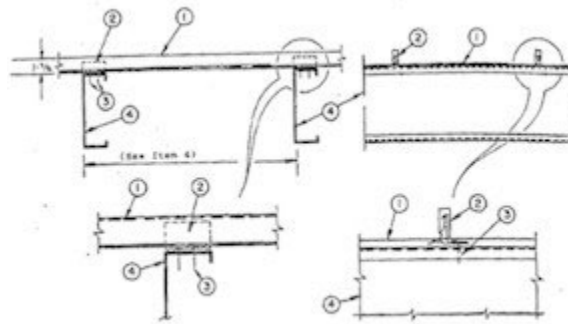




Construction No. 445

Uplift - Class 90

Fire Not Investigated



1. Metal Roof Deck Panels* No. 24 MSG min coated steel. Max panel width 12 in., rib height 1-3/4 in. Panels continuous over two or more spans. No endlaps. A bead of sealant may be used at panel ends and side joints.

- A&S BUILDING SYSTEMS, INC.-"LokSeam"
- MBCI-"LokSeam"
- MESCO METAL BUILDINGS-"LokSeam"
- NCI BUILDING SYSTEMS LP-"LokSeam"

2. Roof Deck Fasteners* - (Panel Clips) One piece assembly, 3-1/2 in. wide by 1-7/8 in. high. Clip spacing to be 48 in. OC.

- NCI BUILDING SYSTEMS LP -"LokSeam 90 Clip"

3. Panel Fasteners - (Screws) Screws used to attach panel clips (Item 2) to purlins (Item 4) to be No. 10 by 1 in. long No. 3 self-drilling point, No. 2 Phillips Pancake head. Two screws per clip.

4. Purlins No. 16 MSG min thickness steel (min yield 50 ksi) Spacing - For 22 MSG thickness panels - 60 in. O.C. For 24 MSG thickness panels - 48 in. O.C.

5. Insulation - (Optional) (not shown) 3 in. thick vinyl faced blanket insulation. To be installed between metal panels (Item 1) and purlins (Item 4).

*Bearing the UL Classification Marking