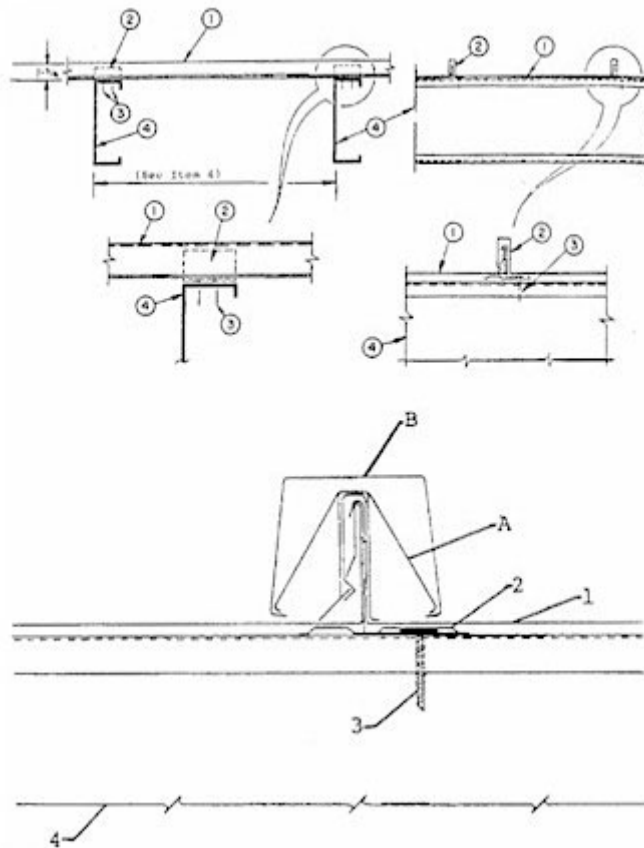


**Construction No. 254**

**Wind-Uplift - Class 90 (See Item No. 4)**

**Fire Not Investigated**



**1. Metal Roof Deck Panels** \* No. 22 MSG or No. 24 MSG min thickness coated steel panels. Panels 12 in. wide, 1-3/4 in. high at the ribs. Panels continuous over two or more spans. A bead of sealant may be used at panel side joints.

- A&S BUILDING SYSTEMS, INC.-"LokSeam"
- AEP-SPAN - "12 in. Snap-Seam"
- ARCHITECTURAL BUILDING COMPONENTS INC - "Permaseam Panel-18" .
- ARS INDUSTRIES INC - "US 175LS"
- CONSOLIDATED METALS OF FLORIDA, DIV OF - "CSL-675"
- CUSTOM PANEL INDUSTRIES LLC - "Design-Lok" .
- ENGINEERED METAL SYSTEMS INC - "Structural Standing Seam" .

- HAWAII METAL ROOFING INC - "Tropa-Lok" .
- HPM BUILDING SUPPLY - "Shur-Lock" .
- KOVACH INC - "K-Lok Structural Panel" .
- MBCI-"LokSeam"
- MESCO METAL BUILDINGS-"LokSeam"
- METAL-FAB INC - "MetFab Snap-On 675" .
- METAL SALES MFG CORP - "Vertical Seam" .
- NCI BUILDING SYSTEMS L.P.-"LokSeam"
- NEW TECH MACHINERY CORP - "Snap Panel 675"
- PETERSEN ALUMINUM CORP - "Snap-Clad" .
- STEELOX SYSTEMS INC - "LS" .
- TOMEN BUILDING COMPONENTS INC - "SS-200-12" , "SS-200-16" , "SS-200-18" .

**2. Roof Deck Fasteners \* (Panel Clips)** One piece assembly, 3-1/2 in. wide, 1-7/8 in. high, thickness 0.048 in. One panel clip located at each purlin intersection.

- AEP-SPAN - "Snap Seam Clip"
- ARCHITECTURAL BUILDING COMPONENTS INC - "Permaseam Clip" .
- CUSTOM PANEL INDUSTRIES LLC - "Design-Lok Clip" .
- KOVACH INC - "K-Lok Structural Clip" .
- NCI BUILDING SYSTEMS LP-"LokSeam UL 90 Clip"
- METAL SALES MFG CORP - "Vertical Seam Clip" .
- PETERSEN ALUMINUM CORP - "Snap-Clad Clip" .
- STEELOX SYSTEMS INC - "LS Clip" .
- TOMEN BUILDING COMPONENTS INC - "Series 200 Clips" .
- U S METALS CORP - "Snap Lock Clip-575" .

**3. Panel Fasteners (Screws)** Fasteners used to attach panel clips (Item 2) to purlins to be No. 10-16 by 1 in. long No. 3 self-drilling point, No. 2 Phillips drive head, plated steel screws. Two screws per clip to be used inserted through 1/4 in. diameter guide holes.

**4. Purlins** No. 16 MSG min thickness steel (50,000 psi min yield strength).

Spacing - For 22 MSG thickness panels - 60 in. OC

For 24 MSG thickness panels - 48 in. OC

The following items may be used in conjunction with the "AEP SPAN" Metal Roof Deck Panels (Item 1). When used, the panel system is identified as "SNAP-SEAM (SBS)" .

**A. Batten Clips\*** Slipped over ribs formed by roof deck panels. One piece assembly, 1-3/4 in. high, 1-3/4 in. max width, with four legs and two arms. Formed to engage ribs of AEP SPAN Panels and Batten Cap (Item B). Clips spaced 48 in. OC.

- AEP-SPAN - "SNAP-SEAM (SBS) Clip"

**B. Batten Cap\*** Slipped over batten clip. Two inches high 1-1/2 in. wide at top with sides formed to engage batten clip. Snapped over batten clips.

- AEP-SPAN - "SNAP-SEAM (SBS) Batten"

The following items may be used in conjunction with the "K-Lok Structural Panel" (Item 1).

**A. Batten Clips\*** Slipped over ribs formed by roof deck panels. One piece assembly formed to engage ribs of "K-Lok Structural Panels" (Item 1) and Batten Cap (Item B). Spaced 48 in. O.C.

- KOVACH INC - "K-Lok Structural Batten Clip" .

**B. Batten Cap\*** Slipped over batten clip (Item A) and formed to snap and engage batten clip.

- KOVACH INC - "K-Lok Structural Batten" .

The following items may be used in conjunction with the "Design-Lok" panel (Item 1).

**A. Batten Clips\*** Slipped over ribs formed by roof deck panels. One piece assembly formed to engage ribs of "Design-Lok" panels (Item 1) and "Design-Lok Batten Cap" (Item B) spaced 48 in. OC.

CUSTOM PANEL INDUSTRIES LLC - "Design-Lok Batten Clip"

**B. Batten Cap\*** Slipped over batten clip (Item A), formed to snap over and engage batten clip.

- CUSTOM PANEL INDUSTRIES LLC - "Design-Lok Batten Clip" .

The following items may be used in conjunction with the "Structural Standing Seam" panels (Item 1) and a Classified Batten clip as described in this construction.

**A. Snapped-on-Batten\*** Slipped over a Classified Batten Clip, formed to snap over and engage batten clip.

Refer to General information, Roof Deck Constructions (Roofing Materials and Systems Directory) for items not evaluated.

\*Bearing the UL Classification Marking