



Metal Roof and Wall Systems

SuperLok®

Field Seaming Tool Manual

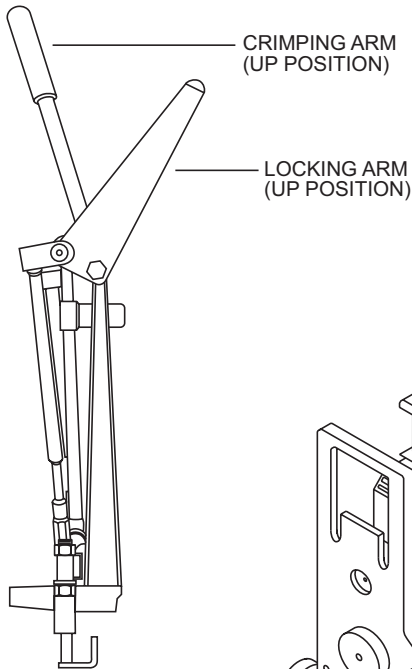
SuperLok® Seaming Information

The seamer and the hand crimper are shipped in individual specially designed boxes accompanied by a field manual. **Read the field manual thoroughly before starting the seaming operation. Failure to adhere to these instructions will result in damage to the seamer and/or panels. The erector will be held liable for any costs incurred for replacement or repair.**

Pre-Seaming Information

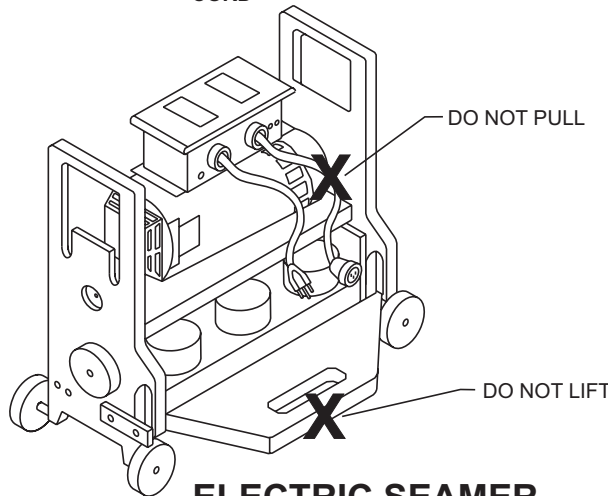
1. Locate field manual in the hand crimper or seamer box and review operational procedures.
2. Locate power source and check against power requirements in field manual.
3. Check seams for proper engagement.
4. Clean dirt, debris and excess sealant from seams and panel surfaces to avoid interfering with the seaming operation.
5. Panels must be hand crimped at each clip and endlap as they are installed to prevent their separation by a strong wind. Panels should be seamed with electric seaming tool as soon as possible after installation.

EQUIPMENT CHECKLIST

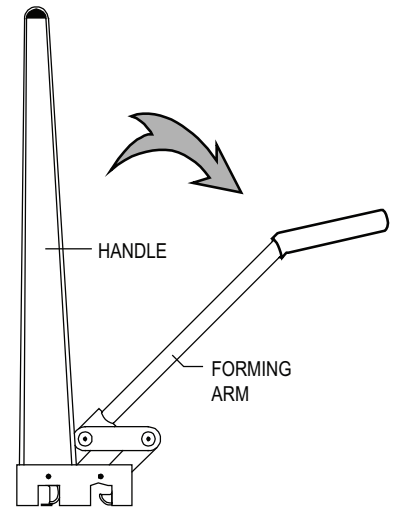


HAND CRIMPER
(Shipped Separately)

When handling seamer tool, always use the handles to lift or pull it.
NEVER PICK IT UP BY THE LOCKING ARM OR PULL IT BY THE ELECTRIC CORD



ELECTRIC SEAMER



**PHASE 1/PHASE 2
HAND TOOL**

ERECTOR RESPONSIBILITY

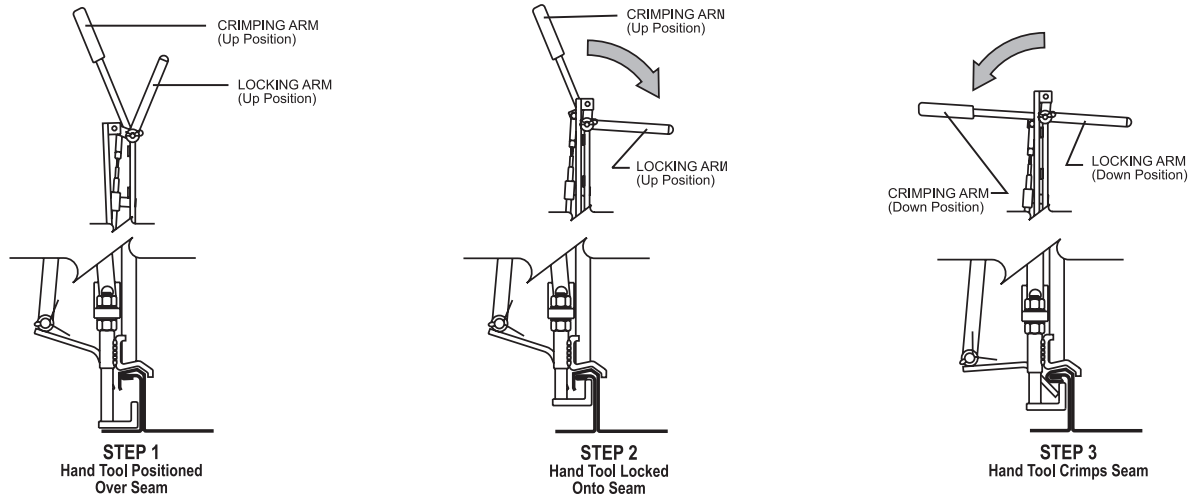
This Seaming Equipment Kit was checked before shipment and found to be complete and in proper working condition. Upon receipt of this kit, inspect for any damage that may occurred during shipment. If any damage is discovered, call MBCI immediately for instructions.

It is the erector's responsibility to become familiar with, and operate the seaming equipment in accordance with the instructions provided in this manual using safe construction practices. Failure to adhere to these instructions could result in damage to the seaming equipment and/or roof panels, or injury to erection personnel.

SEAMER MANUAL

SuperLok®

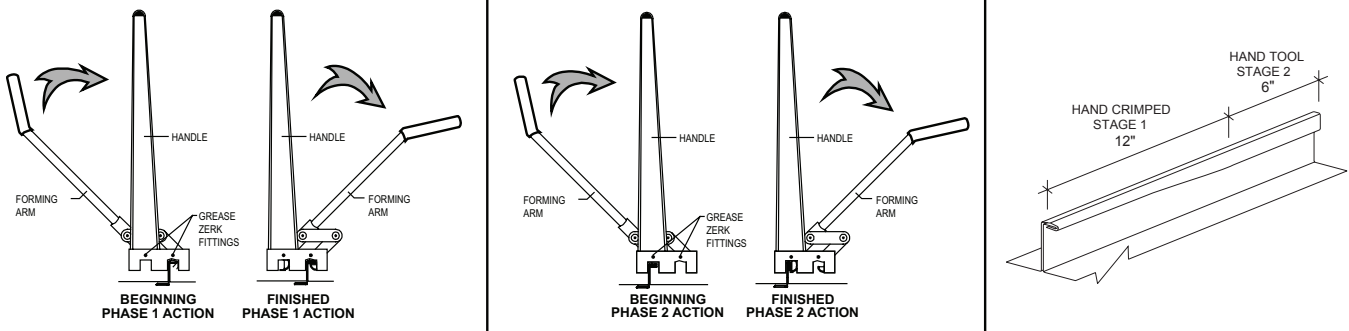
SEAMING OPERATION



As Panels are installed, hand seam at each clip with hand crimper. Panels should be completely seamed with electric seamer as soon as possible.

Push locking arm down to lock hand crimper onto seam. If difficulty is encountered, check to make sure that hand crimper is properly aligned on seam. **Do not force locking arm.**

Push crimping arm down to crimp panel. Return both the crimping arm and locking arm to the up position and remove tool from seam.



CAUTION

It is critical that the panel seams are crimped and folded as shown before using the electric seamer. Failure to follow these guidelines will result in damaged seams.

To begin seaming with hand tool, set the hand tool on the seam making sure seam is in the **PHASE 1 Action** slot. Align the edge of the hand tool with the end of the panel. Rotate the forming arm under the handle to produce 6" of **PHASE 1** seam. This should be done three times along the seam for a total of 18".

Return to the end of the panel to begin **PHASE 2 Action**. Set hand tool onto seam making sure seam is in the **PHASE 2 Action** slot. Align the edge of the hand tool with the edge of the panel. Rotate the forming arm under the handle to produce 6" of finished **PHASE 2** seam. This should be done once per rib. **The relationship of this 6" of finished seam to the 18" of crimped seam is critical to the proper alignment of the rolls in the electric seamer.**

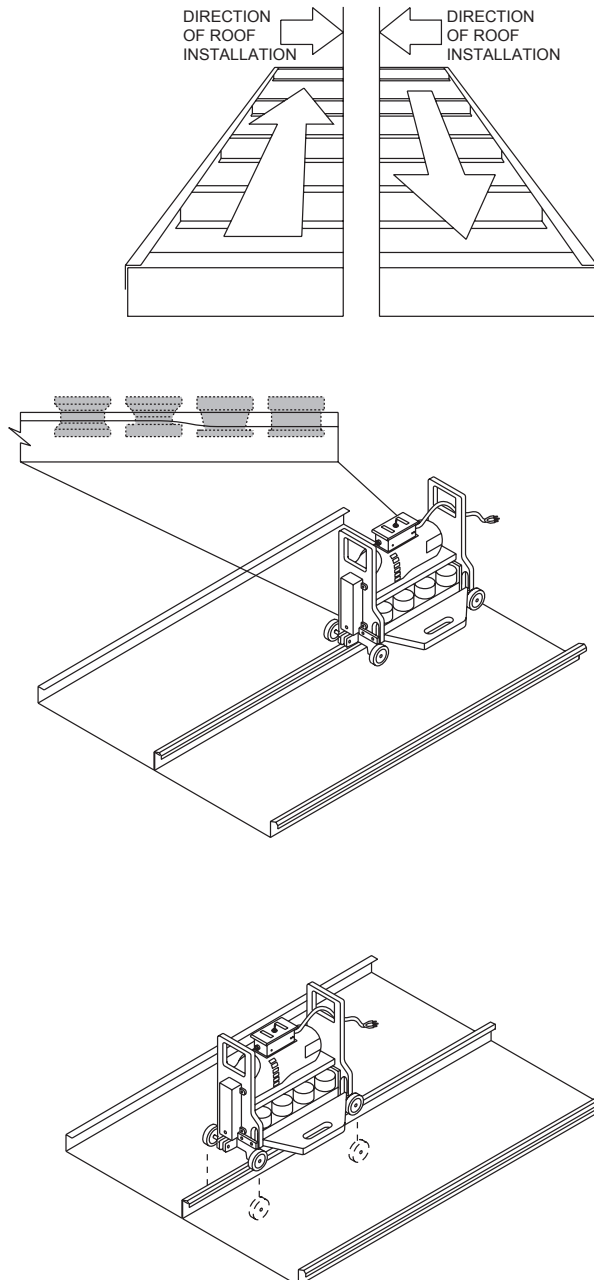
The seam is now ready to accept the electric seamer.

NOTE

All grease zerk fittings on the hand tool should be greased with lithium based grease daily.

SuperLok®

SEAMER MANUAL



SEAMING OPERATION CONTINUED

The electric seamer will run in one direction only. To determine the direction of the seamer, stand at the eave and look upslope. If the roof is being installed left to right, the seamer will run upslope. If the roof is being installed right to left, the seamer will run downslope. An orientation plate is on the seamer to assist you in placing the seamer onto the seam properly. When roof has endlaps, panels will always run right to left.

To begin seaming set seamer on seam with the locking bar up, and to the open side of the seam. The rear wheels should be even with the edge of the roof panel. Push the locking bar down to engage the rolls and turn the seamer on.

CAUTION

Seamer operation should be closely supervised at all times. A safety line should be attached to the seamer.

Stop seamer about one foot from end of panels. Disengage locking bar and remove the electric seamer. Finish seam with hand tool.

SEAMER SPECIFICATIONS AND MAINTENANCE

Seamer will seam 20 to 30 F.P.M. depending on gauge of panels and pitch of roof.

Seamer has 10 amp., 120 v., AC/DC motor.

All zerk fittings on seamer should be greased with lithium based grease, once a day during continuous duty.

Seamer should be cleaned with a nonflammable solvent, often, to prevent a build-up of galvalume or sealant on the rolls. **DO NOT SPILL CLEANING SOLVENT ON ROOF PANELS. THIS WILL VOID THE WARRANTIES ON THE ROOF PANELS FINISHES.**

Any adjustments, maintenance, modification, or repair not otherwise specifically set forth in this manual, must be conducted by MBCI.

If seamer motor should stop suddenly, check reset button located on the side of the electrical box on top of seamer motor. **CONTINUED RESETTING OF MOTOR COULD BE INDICATIVE OF LOW VOLTAGE AND WILL CAUSE DAMAGE TO SEAMING MACHINE.** Check size and length of electric cords. If problem still persists, use an alternate power source.

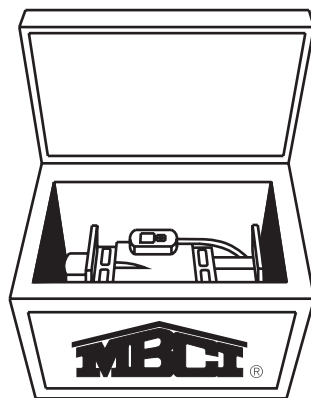
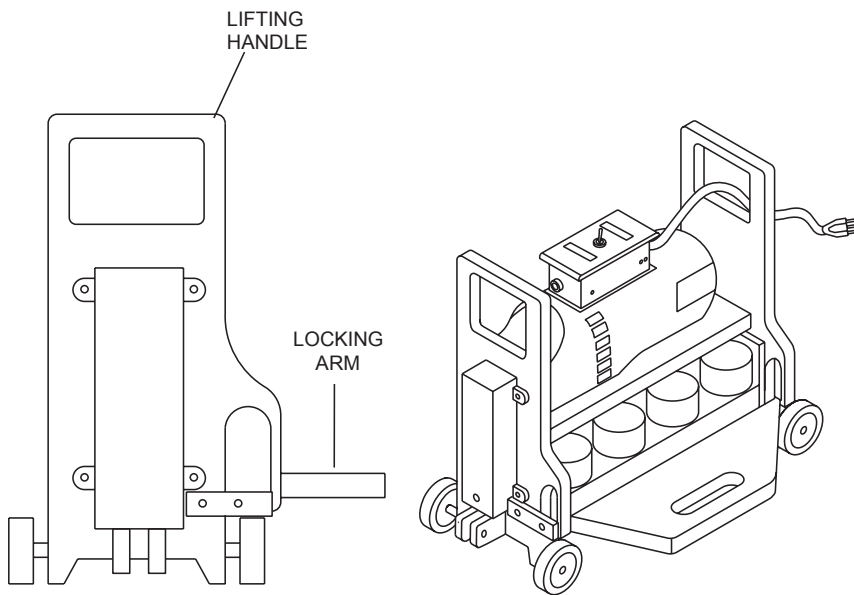
SHIPPING INSTRUCTIONS

Replace the seaming machine in the box. All items should be clean and in proper working condition. A \$50 minimum charge will be assessed for equipment improperly cleaned or damaged.

Return seamer as soon as you are finished. For seamer pick-up, please call MBCI at (877) 713-6224 extension 28069. If possible, call MBCI the day before you are finished.

TOTAL SHIPPING WEIGHT — 177 LBS.
(Electric Seamer & Phase I/Phase II)

HAND CRIMPER SHIPPING WEIGHT - 42 LBS.



DESCRIPTIONS AND SPECIFICATIONS CONTAINED HEREIN WERE IN EFFECT AT THE TIME THIS PUBLICATION WAS APPROVED FOR PRINTING. In a continuing effort to refine and improve products, MBCI reserves the right to discontinue products at any time or change specifications and/or designs without incurring obligation. **To insure you have the latest information available, please inquire or visit our Web Site at www.mbc.com.** Application details are for illustration purposes only and may not be appropriate for all environmental conditions, building designs, or panel profiles. Projects should be engineered to conform to applicable building codes, regulations, and accepted industry practices. Insulation is not shown in these details for clarity. **If there is a conflict between this manual and the erection drawings, the erection drawings will take precedence.**



For the most current information available, visit our Web Site at www.mbc.com

Houston, TX
14031 West Hardy
P.O. Box 38217
Houston, TX 77238
877/713-6224

Lubbock, TX
5711 East FM-40
P.O. Box 10133
Lubbock, TX 79408
800/758-6224

Oklahoma City, OK
7000 S. Eastern Ave.
P.O. Box 95998
Oklahoma City, OK 73143
800/597-6224

San Antonio, TX
8677 I-10 East
P.O. Box 69
Converse, TX 78109
800/598-6224

Dallas, TX
1804 Jack McKay Blvd.
Grand Prairie, TX 75053
800/653-6224

Atlanta, GA
2280 Monier Ave.
P.O. Box 44729
Atlanta, GA 30336
877/512-6224

Phoenix, AZ
660 South 91st Avenue
P.O. Box 739
Tolleson, AZ 85353
888/533-6224

Richmond, VA
801 South Ave.
P.O. Box 239
Colonial Heights, VA 23834
800/729-6224

Indianapolis, IN
1780 McCall Dr.
P.O. Box 657
Shelbyville, IN 46176
800/735-6224

Omaha, NE
1011 Ellison Ave.
P.O. Box 19085
Omaha, NE 68119
800/458-6224

Memphis, TN
300 Highway 51 North
P.O. Box 366
Hermando, MS 38632
800/206-6224

Rome, NY
6168 State Route 233
P.O. Box 4141
Rome, NY 13442
800/559-6224

Adel, GA
1601 Rogers Rd.
P.O. Box 1107
Adel, GA 31620
888/446-6224

Salt Lake City, UT
1155 West 2300 North
P.O. Box 16027
Salt Lake City, UT 84116
800/874-2404

Atwater, CA
550 Industry Way
P.O. Box 793
Atwater, CA 95301
800/829-9324

Tampa, FL (Sales Office)
402 N. Frontage Rd.
P.O. Box 2418
Plant City, FL 33564
800/359-6224