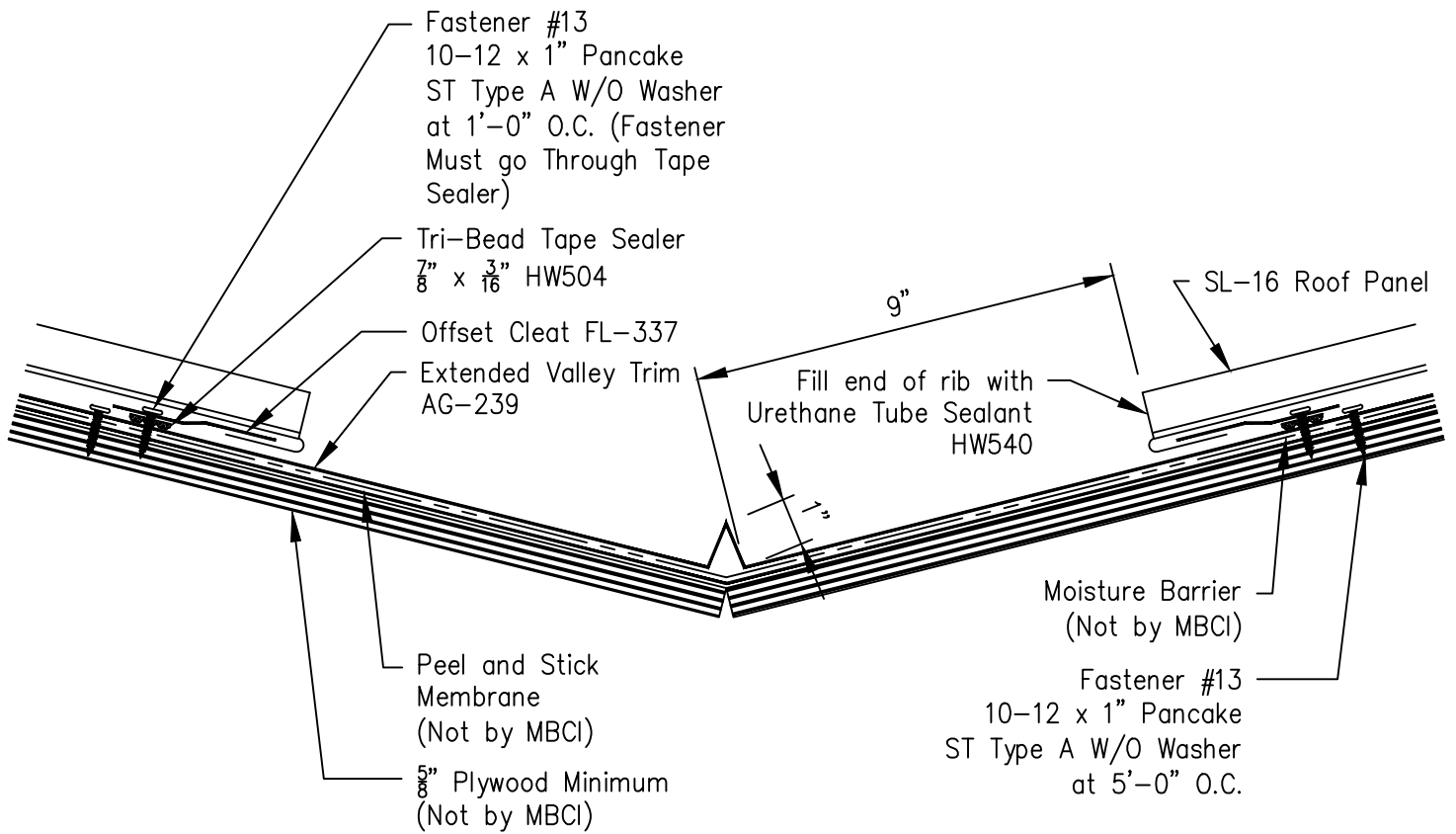


Offset Cleat FL-337

Field Notch Panel Legs  
 1 1/2" and Bend Pan  
 to Form Open Hem  
 Note: Panels With Minor  
 Ribs Cannot be Hemmed



Fastener #13  
 10-12 x 1" Pancake  
 ST Type A W/O Washer  
 at 1'-0" O.C. (Fastener  
 Must go Through Tape  
 Sealer)

Tri-Bead Tape Sealer  
 7/8" x 3/16" HW504

Offset Cleat FL-337  
 Extended Valley Trim  
 AG-239

Peel and Stick  
 Membrane  
 (Not by MBCI)  
 5/8" Plywood Minimum  
 (Not by MBCI)

9"  
 Fill end of rib with  
 Urethane Tube Sealant  
 HW540

SL-16 Roof Panel

Moisture Barrier  
 (Not by MBCI)

Fastener #13  
 10-12 x 1" Pancake  
 ST Type A W/O Washer  
 at 5'-0" O.C.