

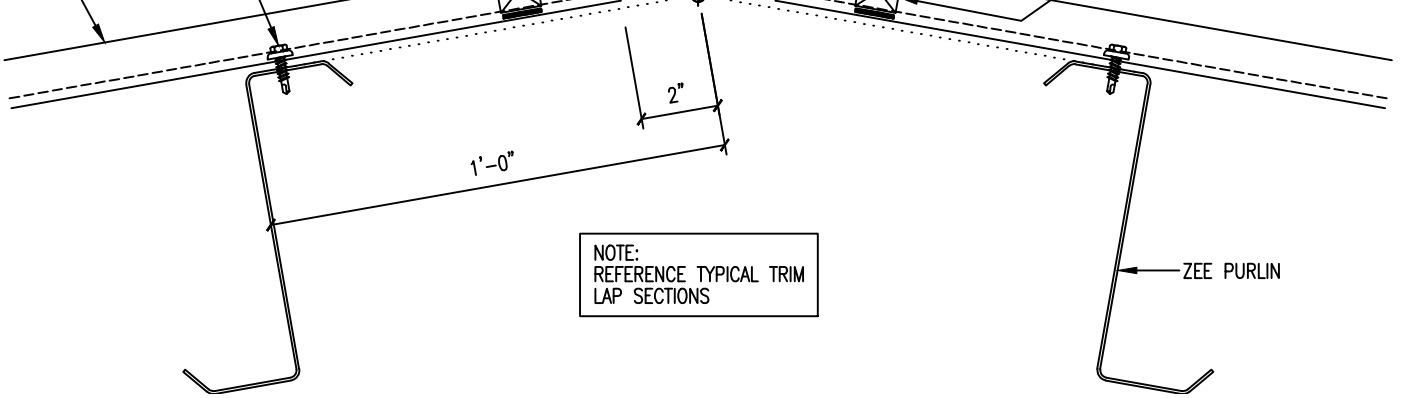
12

12

PERFORATED VENT DRIP [FL-254]
 12-14 x 1 1/4 LONG-LIFE SELF-DRILLER W/WASHER [FASTENER #3] (6) PER PANEL
 'PBR' ROOF PANEL

RIDGE TRIM [FL-300]

1" x 3/32" TAPE SEALER [HW-506] TOP & BOTTOM OF CLOSURE
 1/4-14 x 7/8 LONG-LIFE LAPTEK W/WASHER [FASTENER #4] @ 6" O.C.
 1/4-14 x 7/8 LONG-LIFE LAPTEK W/WASHER [FASTENER #4] @ EA. MAJOR RIB
 OUTSIDE CLOSURE [HW-456]



NOTE:
 REFERENCE TYPICAL TRIM LAP SECTIONS