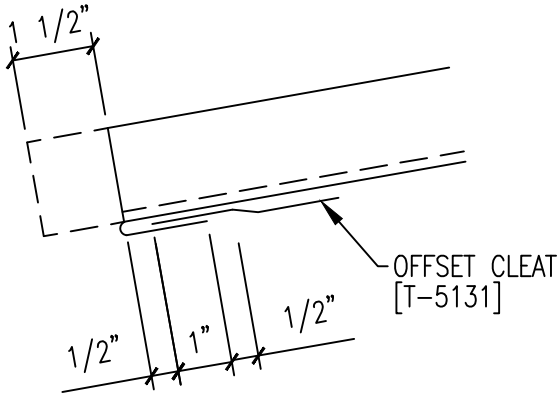
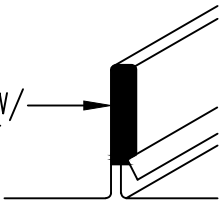


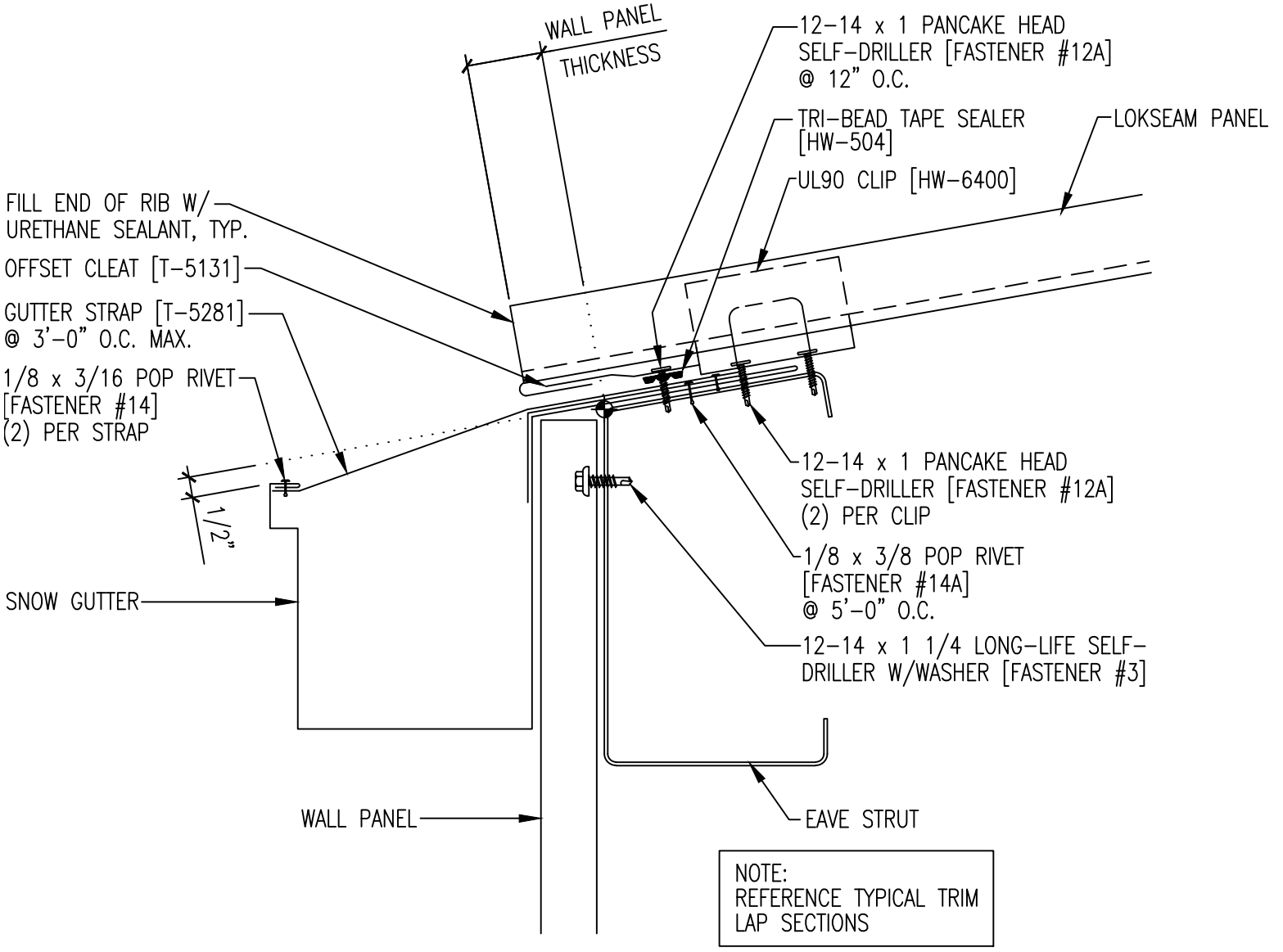
FIELD CUT PANEL RIBS
AND BEND PAN OVER
TO FORM OPEN HEM



FILL END OF RIB W/
URETHANE SEALANT



12



NOTE:
REFERENCE TYPICAL TRIM
LAP SECTIONS

O/O DIMENSION
(SEE PLAN)