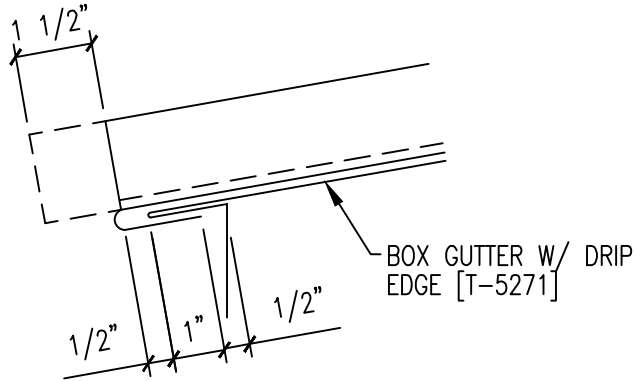
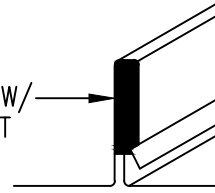


FIELD CUT PANEL RIBS
AND BEND PAN OVER
TO FORM OPEN HEM



FILL END OF RIB W/
URETHANE SEALANT



12

