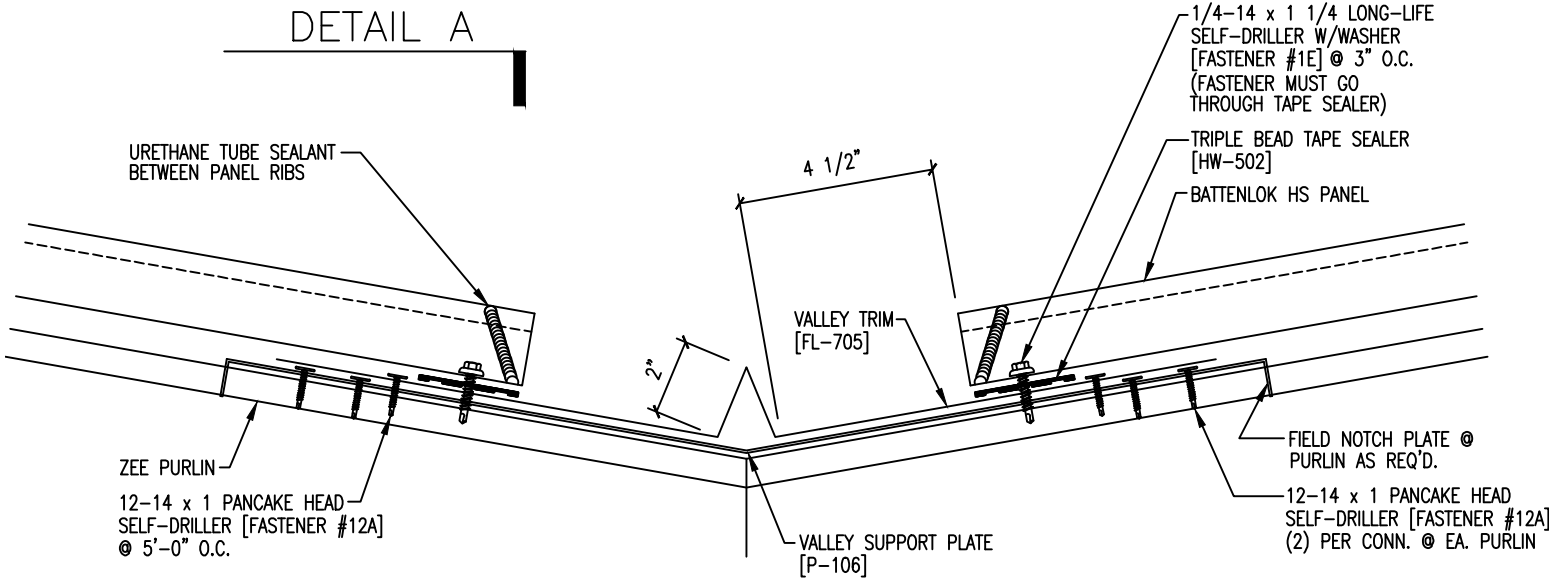


URETHANE SEALANT MUST COME IN CONTACT WITH TAPE SEALER TO FORM A WEATHERTIGHT SEAL



NOTE: REFERENCE TYPICAL TRIM LAP SECTIONS