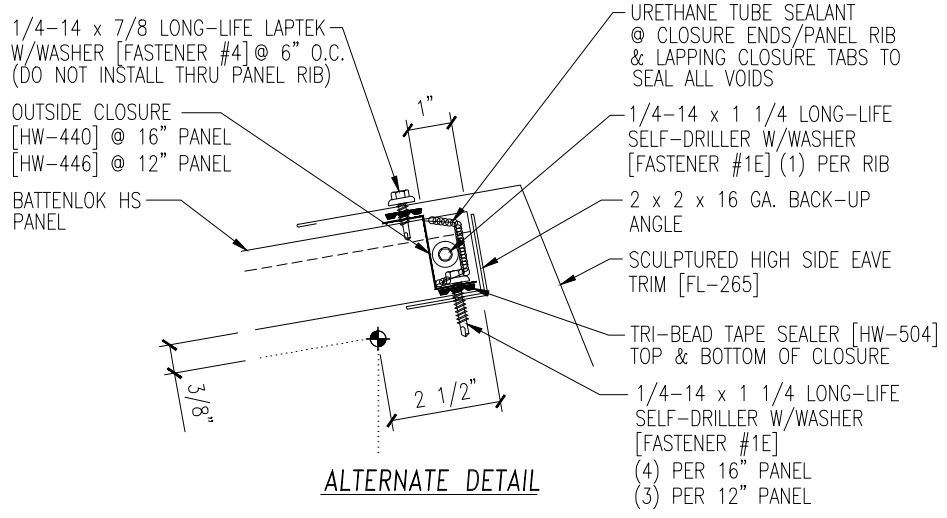
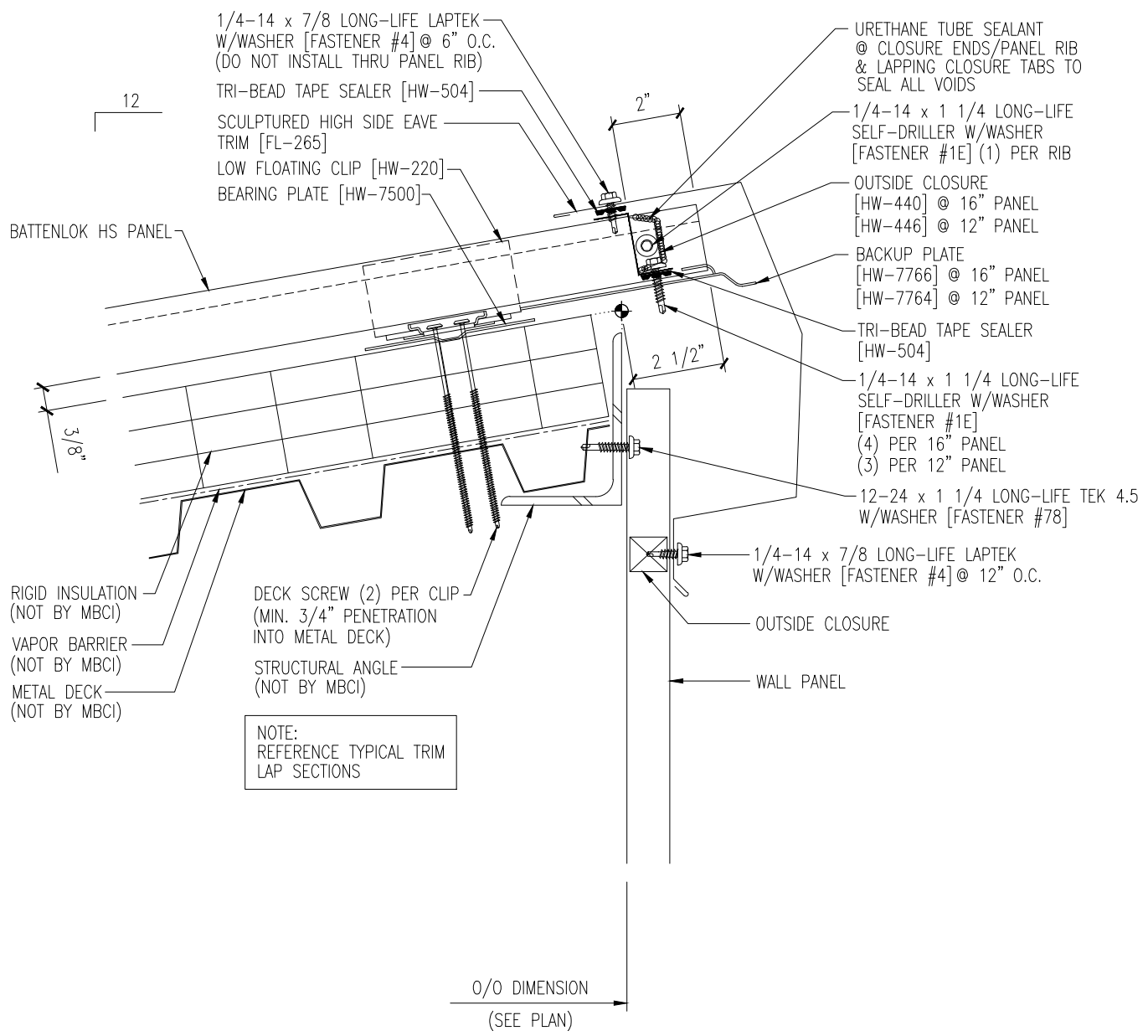


**HIGH EAVE SEALANT DETAIL**



**ALTERNATE DETAIL**



NOTE:  
REFERENCE TYPICAL TRIM  
LAP SECTIONS

O/O DIMENSION  
(SEE PLAN)